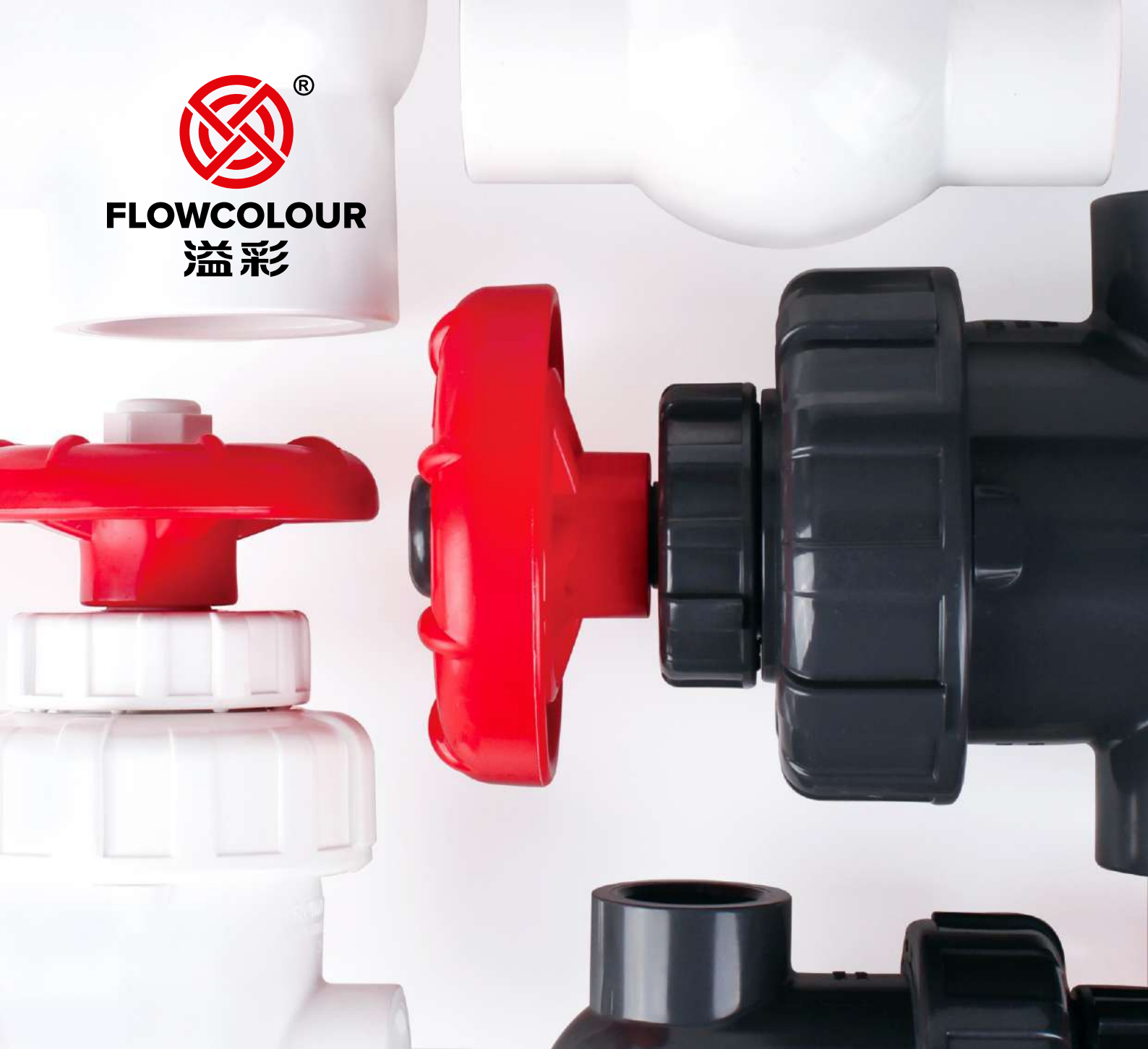




FLOWCOLOUR
溢彩



2026

产品册

PRODUCT BROCHURE

FOCUS ON SPECIALTY PRODUCTS
AND TAILORED SERVICES FOR
THERMOPLASTIC PIPING SYSTEM



CONTENTS



FLOWCOLOUR

01

PIPES

UPVC

Pipe(Gray/PN16)	1.01
Pipe(Gray/PN10)	1.02
Pipe(White)	1.03
Pipe(Black)	1.04
Pipe(Red)	1.05
Pipe(Orange)	1.06
Pipe(Blue)	1.07
Pipe(Purple)	1.08

CLEAR PVC

Pipe(Clear)	1.09
-------------	------

PMMA

Pipe(Transparent)	1.10
-------------------	------

02

FITTINGS

UPVC

90° Elbow (White)	2.01
45° Elbow (White)	2.02
Tee (White)	2.03
Coupling (White)	2.04
Cap (White)	2.05
Reducing Bushing (Gray/White)	2.06
90° Elbow (Gray/Black)	2.07
45° Elbow (Gray/Black)	2.08
Tee (Gray/Black)	2.09
Coupling (Gray/Black)	2.10
Cap (Gray/Black)	2.11



02

FITTINGS

UPVC

Female Reducer Bushing	2.12
Male*Female Reducer Bushing	2.13
Male Adapter	2.14
Single Spigot 90°Elbow	2.15
Single Spigot 45°Elbow	2.16
Single Spigot Tee	2.17
3-way Elbow	2.18
4-way Tee	2.19
5-way Cross	2.20
90° Bend Elbow	2.21
Y Tee	2.22
Bend Tee	2.23
Union	2.24
Spigot Union	2.25
Female Thread Union	2.26
Male Thread Union	2.27
Socket/Spigot Screen	2.28
Thread Screen	2.29
Socket Hose Adapter	2.30
Spigot Hose Adapter	2.31
Male Hose Adapter	2.32
Nipple	2.33
4D Radius Bocht 45°	2.34
4D Radius Bocht 83°	2.35
4D Radius Bocht 90°	2.36
Female Thread Saddle	2.37
Tri-Clamp Adapter	2.38

CONTENTS



02

FITTINGS

CLEAR PVC

90° Elbow	2.39
45° Elbow	2.40
Tee	2.41
Coupling	2.42
Cap	2.43
90° Elbow(ANSI)	2.44
45° Elbow(ANSI)	2.45
Tee(ANSI)	2.46
Coupling(ANSI)	2.47

PMMA

90° Elbow	2.48
45° Elbow	2.49
Tee	2.50
Coupling	2.51
Cap	2.52
Male Adapter	2.53
Triangular Sweeper	2.54
Nut(PC)	2.55

03

PP

Male Cap	2.56
----------	------

CONTENTS



FLOWCOLOUR

03

VALVES

UPVC

Gate Valve	3.01
Compact Ball Valve	3.02
True Union Ball Valve	3.03
Swing Check Valve	3.04
Spring Check Valve	3.05
Lifting Check Valve	3.06
Hose Check Valve	3.07
Angle Valve	3.08
Male Sampling Valve	3.09
Socket/Spigot Sampling Valve	3.10

04

05

ELECTRICAL INSTRUMENTS

UV Sterilizer (Aegis Mini)	4.01
UV Sterilizer (Pro)	4.02
Salt Chlorine Machine	4.03

OTHER ACCESSORIES

06

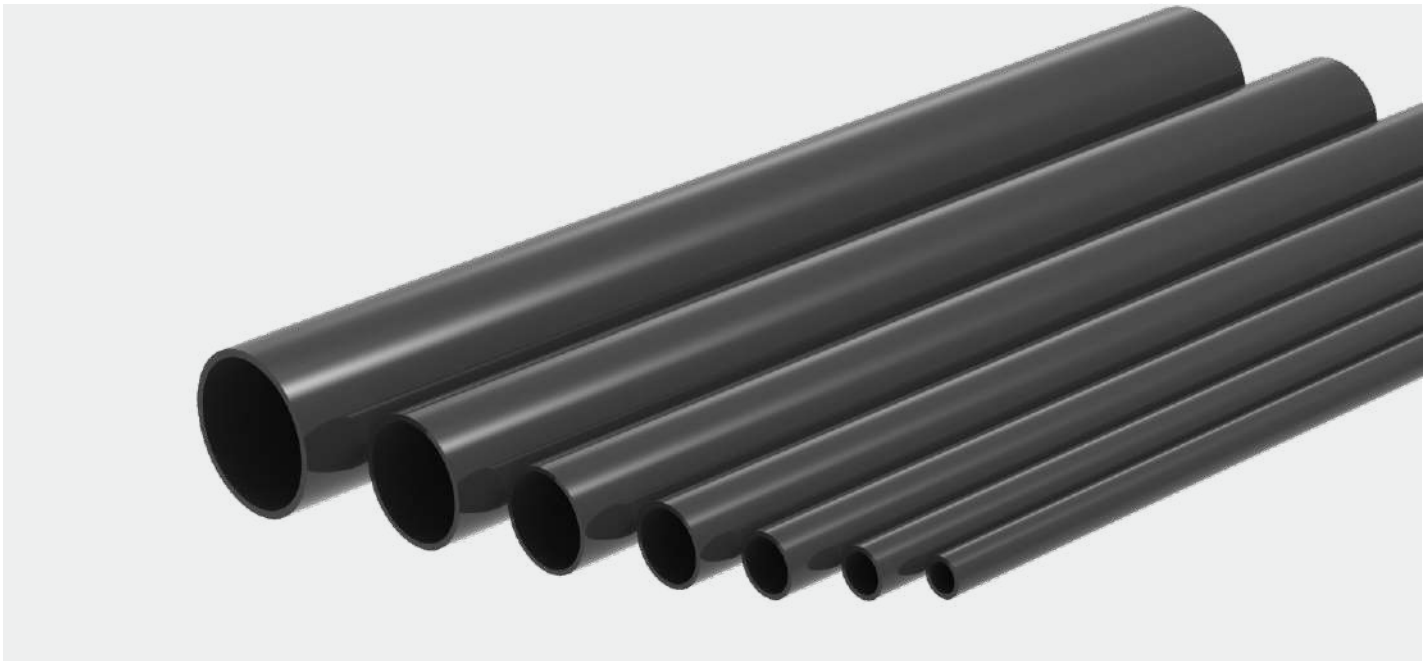
Union Static Mixer	5.01
Flanged Static Mixer	5.02
Sensor Holder	5.03
Ball Valve Gearbox	5.04
Union Calibration Column	5.05
Female Calibration Column	5.06
Pipe Clip	5.07
Pipe Clip (Large)	5.08



06

AQUARIUM FITTINGS

Bulkhead	6.01
Bulkhead (Large)	6.02
Elbow Bulkhead	6.03
Force Drain	6.04
Elbow Force Drain	6.05
Drain Ball Valve	6.06
Quick Bulkhead	6.07
Quick Elbow Bulkhead	6.08
Bottom Outlet	6.09
Water Outlet Connector	6.10
Elbow Water Outlet Connector	6.11
Triangle Water Outlet	6.12
Laval Water Outlet	6.13
Water Level Control Connector	6.14
Hose Lock Spigot	6.15
Aquarium Pipe Clip	6.16
Union Connector	6.17
Double Ends Rotating Water Outlet	6.18
Rain Pipe	6.19
Ribbed Hosing	6.20
Divider Plate	6.21



Pipe (Gray)

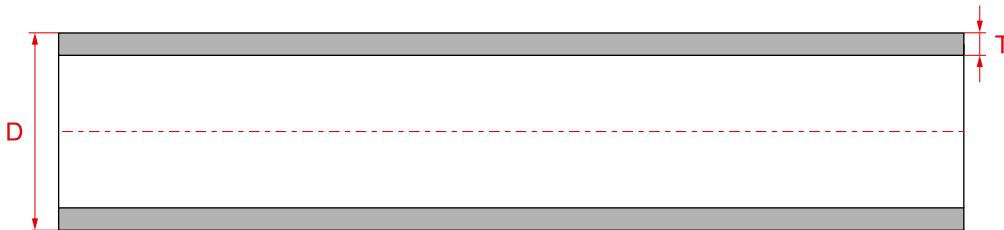
SIZE: DN10~DN100

MATERIAL: UPVC

STANDARD: DIN (GB/T 4219.1)

COLOUR: Gray

PRESSURE: 1.6Mpa



Unit:mm

NOMINAL SIZE		OUTSIDE DIA		STRUCTURE SIZE		APPROX. WT.	PRODUCT CODE
DIN	DN	D	Tolerance	T	Tolerance	g/m	Gray
16mm	DN10	16	+0.2	2.0	+0.2	141	101UD16G-16
20mm	DN15	20	+0.2	2.0	+0.4		101UD16G-20
25mm	DN20	25	+0.2	2.3	+0.5		101UD16G-25
32mm	DN25	32	+0.2	2.4	+0.5		101UD16G-32
40mm	DN32	40	+0.2	3.0	+0.5		101UD16G-40
50mm	DN40	50	+0.2	3.7	+0.6		101UD16G-50
63mm	DN50	63	+0.3	4.7	+0.7		101UD16G-63
75mm	DN65	75	+0.3	5.6	+0.8		101UD16G-75
90mm	DN80	90	+0.3	6.7	+0.9		101UD16G-90
110mm	DN100	110	+0.4	8.1	+1.1		101UD16G-110



Pipe (Multicolour)

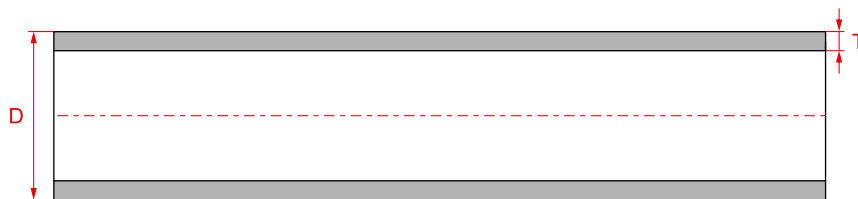
SIZE: DN15~DN50

MATERIAL: UPVC

STANDARD: DIN

COLOUR: Gray, Purple, Red, Orange, Blue, Black, White

PRESSURE: 1.0Mpa



Unit:mm

NOMINAL SIZE		OUTSIDE DIA		STRUCTURE SIZE		APPROX. WT.	PRODUCT CODE
DIN	DN	D	Tolerance	T	Tolerance	g/m	Red
20mm	DN15	20	+0.3	2.0	+0.2	175	101UD10R-20
25mm	DN20	25	+0.3	2.0	+0.2	237	101UD10R-25
32mm	DN25	32	+0.3	2.0	+0.2	311	101UD10R-32
40mm	DN32	40	+0.3	2.0	+0.2	382	101UD10R-40
50mm	DN40	50	+0.3	2.4	+0.2	560	101UD10R-50
63mm	DN50	63	+0.3	3.0	+0.2	862	101UD10R-63



Pipe (Gray)

SIZE: DN15~DN50

MATERIAL: **UPVC**

STANDARD: **DIN (GB/T 10002.1)**

COLOUR: **Gray**

PRESSURE: **1.0Mpa**



Unit:mm

NOMINAL SIZE		OUTSIDE DIA		STRUCTURE SIZE		APPROX. WT.	PRODUCT CODE
DIN	DN	D	Tolerance	T	Tolerance	g/m	Gray
20mm	DN15	20	+0.3	2.0	+0.3	175	101UD10G-20
25mm	DN20	25	+0.3	2.0	+0.3	237	101UD10G-25
32mm	DN25	32	+0.3	2.0	+0.3	311	101UD10G-32
40mm	DN32	40	+0.3	2.0	+0.3	382	101UD10G-40
50mm	DN40	50	+0.3	2.4	+0.3	560	101UD10G-50
63mm	DN50	63	+0.3	3.0	+0.3	862	101UD10G-63
75mm	DN65	75	+0.3	3.6	+0.3		101UD10G-75
90mm	DN80	90	+0.3	4.3	+0.4		101UD10G-90
110mm	DN100	110	+0.4	4.2	+0.4		101UD10G-110



Pipe (White)

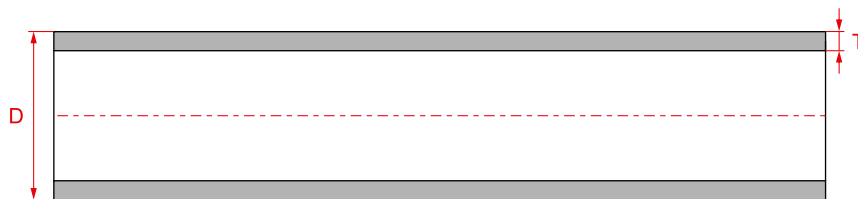
SIZE: DN15~DN50

MATERIAL: **UPVC**

STANDARD: **DIN**

COLOUR: **White**

PRESSURE: **1.0Mpa**



Unit:mm

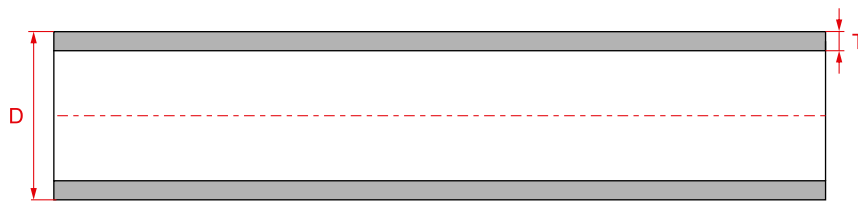
NOMINAL SIZE		OUTSIDE DIA		STRUCTURE SIZE		APPROX. WT.	PRODUCT CODE
DIN	DN	D	Tolerance	T	Tolerance	g/m	White
20mm	DN15	20	+0.3	2.0	+0.2	175	101UD10W-20
25mm	DN20	25	+0.3	2.0	+0.2	237	101UD10W-25
32mm	DN25	32	+0.3	2.0	+0.2	311	101UD10W-32
40mm	DN32	40	+0.3	2.0	+0.2	382	101UD10W-40
50mm	DN40	50	+0.3	2.4	+0.2	560	101UD10W-50
63mm	DN50	63	+0.3	3.0	+0.2	862	101UD10W-63



Pipe (Black)

SIZE: DN15~DN50

MATERIAL: **UPVC**
STANDARD: **DIN**
COLOUR: **Black**
PRESSURE: **1.0Mpa**



Unit:mm

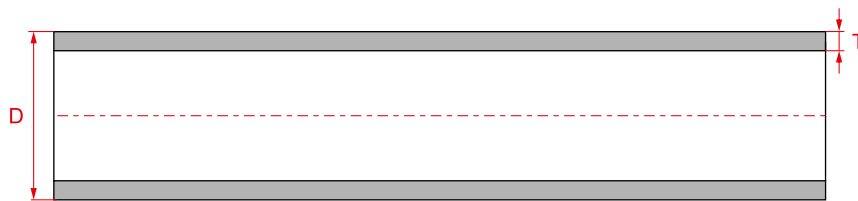
NOMINAL SIZE		OUTSIDE DIA		STRUCTURE SIZE		APPROX. WT.	PRODUCT CODE
DIN	DN	D	Tolerance	T	Tolerance	g/m	Black
20mm	DN15	20	+0.3	2.0	+0.2	173	101UD10K-20
25mm	DN20	25	+0.3	2.0	+0.2	230.3	101UD10K-25
32mm	DN25	32	+0.3	2.0	+0.2	310	101UD10K-32
40mm	DN32	40	+0.3	2.0	+0.2	392	101UD10K-40
50mm	DN40	50	+0.3	2.4	+0.2	606	101UD10K-50
63mm	DN50	63	+0.3	3.0	+0.2	903.5	101UD10K-63



Pipe (Red)

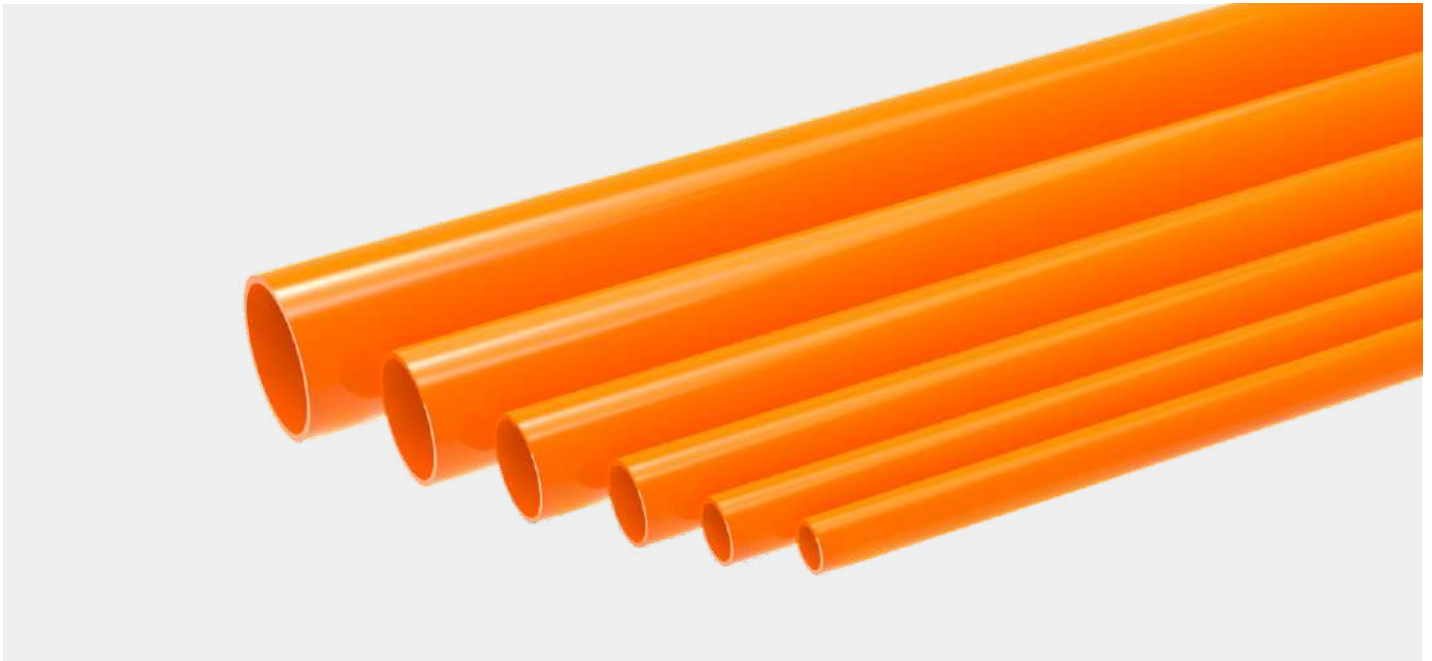
SIZE: DN15~DN50

MATERIAL: **UPVC**
STANDARD: **DIN**
COLOUR: **Red**
PRESSURE: **1.0Mpa**



Unit:mm

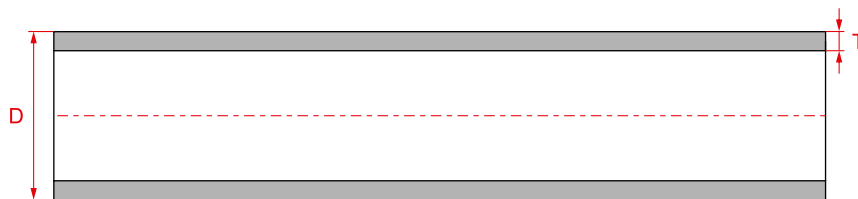
NOMINAL SIZE		OUTSIDE DIA		STRUCTURE SIZE		APPROX. WT.	PRODUCT CODE
DIN	DN	D	Tolerance	T	Tolerance	g/m	Red
20mm	DN15	20	+0.3	2.0	+0.2	175	101UD10R-20
25mm	DN20	25	+0.3	2.0	+0.2	237	101UD10R-25
32mm	DN25	32	+0.3	2.0	+0.2	311	101UD10R-32
40mm	DN32	40	+0.3	2.0	+0.2	382	101UD10R-40
50mm	DN40	50	+0.3	2.4	+0.2	560	101UD10R-50
63mm	DN50	63	+0.3	3.0	+0.2	862	101UD10R-63



Pipe (Orange)

SIZE: DN15~DN50

MATERIAL: UPVC
STANDARD: DIN
COLOUR: Orange
PRESSURE: 1.0Mpa



Unit:mm

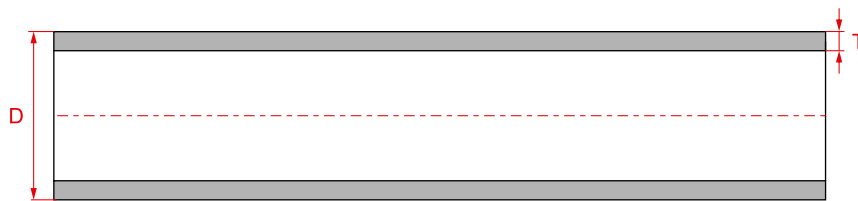
NOMINAL SIZE		OUTSIDE DIA		STRUCTURE SIZE		APPROX. WT.	PRODUCT CODE
DIN	DN	D	Tolerance	T	Tolerance	g/m	Orange
20mm	DN15	20	+0.3	2.0	+0.2	175	101UD100-20
25mm	DN20	25	+0.3	2.0	+0.2	237	101UD100-25
32mm	DN25	32	+0.3	2.0	+0.2	311	101UD100-32
40mm	DN32	40	+0.3	2.0	+0.2	382	101UD100-40
50mm	DN40	50	+0.3	2.4	+0.2	560	101UD100-50
63mm	DN50	63	+0.3	3.0	+0.2	862	101UD10R-63



Pipe (Blue)

SIZE: DN15~DN50

MATERIAL: **UPVC**
STANDARD: **DIN**
COLOUR: **Blue**
PRESSURE: **1.0Mpa**



Unit:mm

NOMINAL SIZE		OUTSIDE DIA		STRUCTURE SIZE		APPROX. WT.	PRODUCT CODE
DIN	DN	D	Tolerance	T	Tolerance	g/m	Blue
20mm	DN15	20	+0.3	2.0	+0.2	175	101UD10B-20
25mm	DN20	25	+0.3	2.0	+0.2	237	101UD10B-25
32mm	DN25	32	+0.3	2.0	+0.2	311	101UD10B-32
40mm	DN32	40	+0.3	2.0	+0.2	382	101UD10B-40
50mm	DN40	50	+0.3	2.4	+0.2	560	101UD10B-50
63mm	DN50	63	+0.3	3.0	+0.2	862	101UD10B-63



Pipe (Purple)

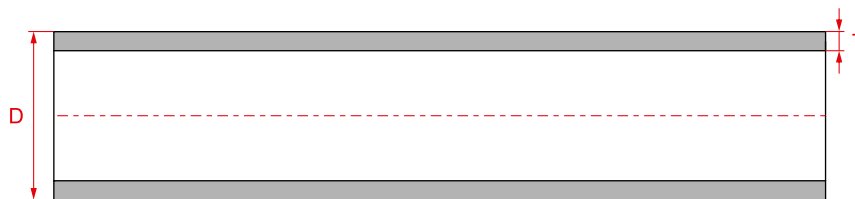
SIZE: DN15~DN50

MATERIAL: UPVC

STANDARD: DIN

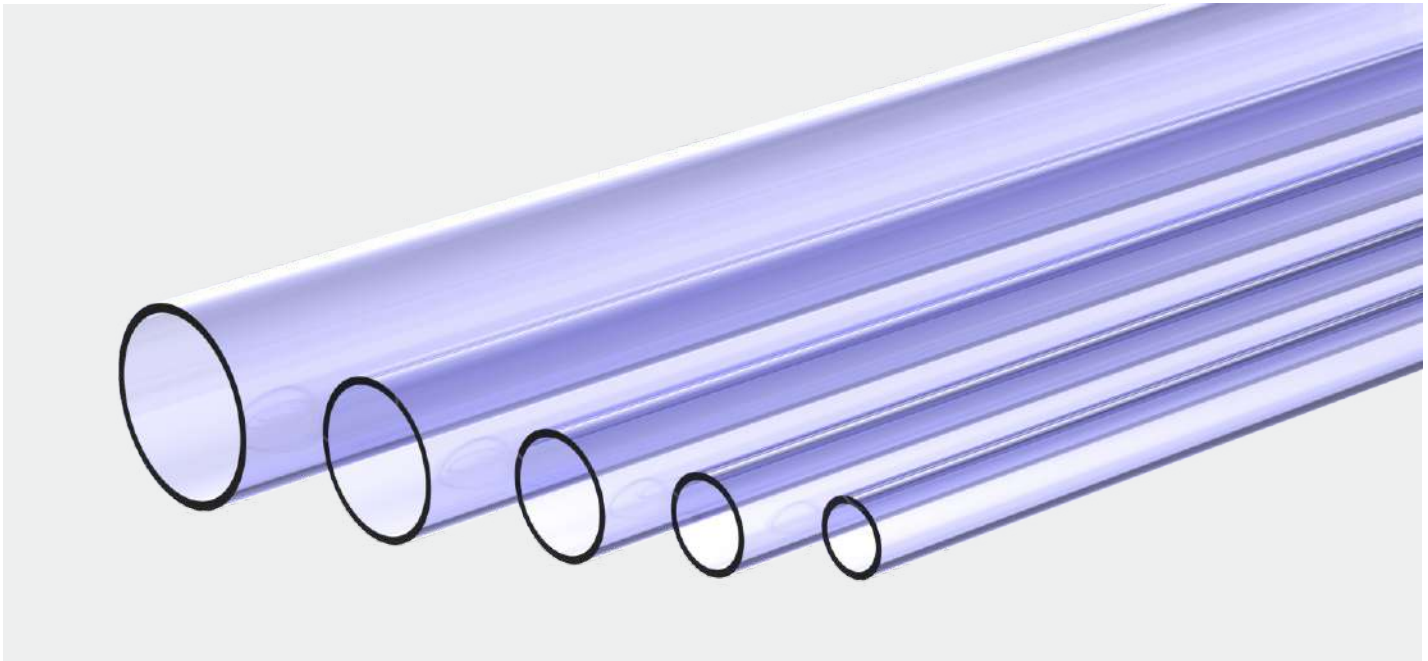
COLOUR: Gray, Purple, Red, Orange, Blue, Black, White

PRESSURE: 1.0Mpa



Unit:mm

NOMINAL SIZE		OUTSIDE DIA		STRUCTURE SIZE		APPROX. WT.	PRODUCT CODE
DIN	DN	D	Tolerance	T	Tolerance	g/m	Purple
20mm	DN15	20	+0.3	2.0	±0.2	175	101UD10P-20
25mm	DN20	25	+0.3	2.0	+0.2	237	101UD10P-25
32mm	DN25	32	+0.3	2.0	+0.2	311	101UD10P-32
40mm	DN32	40	+0.3	2.0	+0.2	382	101UD10P-40
50mm	DN40	50	+0.3	2.4	+0.2	560	101UD10P-50
63mm	DN50	63	+0.3	3.0	+0.2	862	101UD10P-63



Pipe (Clear)

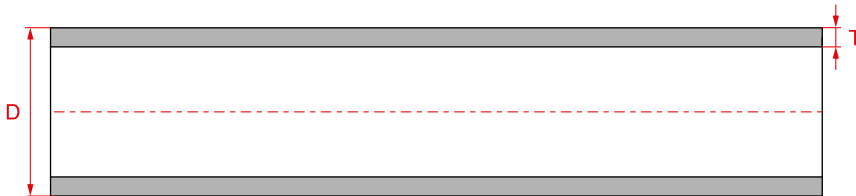
SIZE: DN15~DN150, 1/2"~ 6"

MATERIAL: Clear-PVC

STANDARD: DIN, ANSI

COLOUR: Gray, Purple, Red, Orange, Blue, Black, White

PRESSURE: 1.0Mpa



Unit:mm

NOMINAL SIZE			D			T			APPROX. WT.	PRODUCT CODE
DIN	DN	ANSI	DN	ANSI	Tolerance	DN	ANSI	Tolerance	g/m (DN)	Clear
20mm	DN15	1/2"	20	21.3	+0.3	2.5	2.77	+0.3	173	103UD10T-20
25mm	DN20	3/4"	25	26.7	+0.3	2.5	2.87	+0.3	237.2	103UD10T-25
32mm	DN25	1"	32	33.4	+0.3	3.2	3.38	+0.3	356.9	103UD10T-32
40mm	DN32	1-1/4"	40	42.4	+0.3	3.5	3.56	+0.3	489.4	103UD10T-40
50mm	DN40	1-1/2"	50	48.3	+0.3	3.5	3.68	+0.3	719.5	103UD10T-50
63mm	DN50	2"	63	60.3	+0.3	4.0	3.91	+0.3	1025	103UD10T-63
75mm	DN65	2-1/2"	75	73.5	+0.3	4.5	5.16	+0.3	1250	103UD10T-75
90mm	DN80	3"	90	88.9	+0.3	5.0	5.49	+0.3	1600	103UD10T-90
110mm	DN100	4"	110	114.3	+0.3	5.5	6.02	+0.3	2300	103UD10T-110
140mm	DN125	5"	140	141.3	+0.3	5.5	6.55	+0.3	3550	103UD10T-140
160mm	DN150	6"	160	168.3	+0.3	5.5	7.11	+0.3	--	103UD10T-160



Pipe (Transparent)

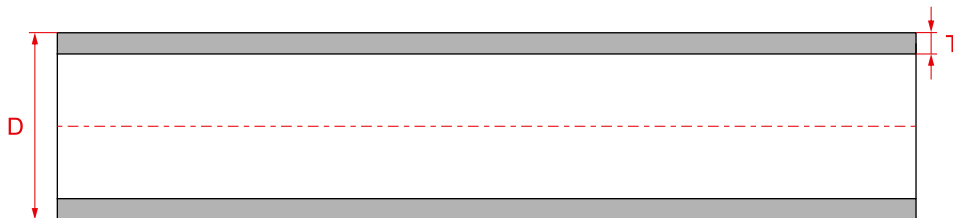
SIZE: DN15~DN40

MATERIAL: PMMA

STANDARD: DIN

COLOUR: Transparent

PRESSURE: 1.0Mpa*



Unit:mm

NOMINAL SIZE		OUTSIDE DIA		STRUCTURE SIZE		APPROX. WT.	PRODUCT CODE
DIN	DN	D	Tolerance	T	Tolerance	g/m	
20mm	DN15	20	+0.1	2.0	+0.1	168	104PMAD10T-20
25mm	DN20	25	+0.1	2.5	+0.1	216	104PMAD10T-25
32mm	DN25	32	+0.1	2.5	+0.1	285	104PMAD10T-32
40mm	DN32	40	+0.2	2.8	+0.2	416	104PMAD10T-40
50mm	DN40	50	+0.2	2.8	+0.2	490	104PMAD10T-50

* Indicates: There is no executive standard for PMMA material pipelines for liquid conveying pipelines, according to the material characteristics and with reference to the ISO 4219.1 standard, the pressure standard is tentatively set to 1.0Mpa, which is the maximum working pressure . Please use the pipeline below the maximum working pressure.



90° Elbow (White)

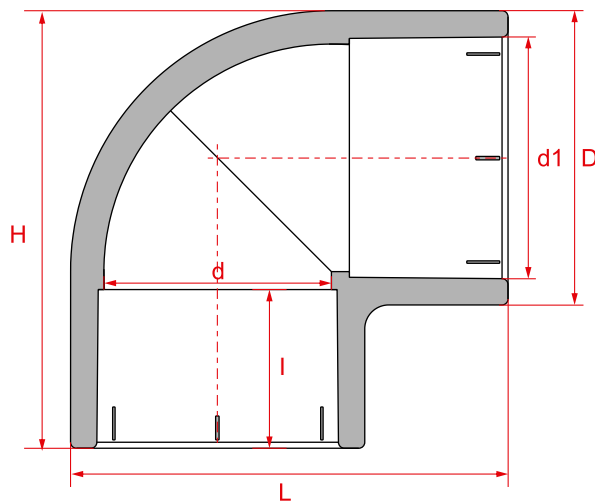
SIZE: DN15~DN50, 1/2"~ 2"

MATERIAL: UPVC

STANDARD: DIN, ANSI SCH40

COLOUR: White

CONNECTION: Socket



Unit:mm

NOMINAL SIZE	STRUCTURE SIZE						PRESSURE	APPROX. WT.	PRODUCT CODE
DN	d1	D	d	I	L	H	PN	g	White
DN15	20	27	19	16.5	42	42	16	20	216UD16W-20
DN20	25	33	24	19	50.5	50.5	16	33	216UD16W-25
DN25	32	40.5	30	22.5	61	61	16	54.5	216UD16W-32
DN32	40	49.1	38	26.5	73	73	16	85.3	216UD16W-40
DN40	50	61	46	31.5	87.5	87.5	16	155.9	216UD16W-50



45° Elbow (White)

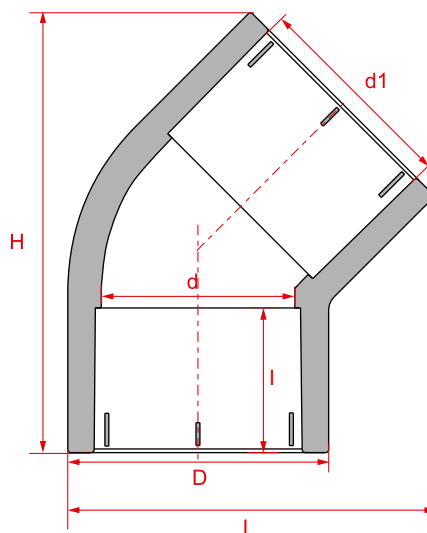
SIZE: DN15~DN50, 1/2"~ 2"

MATERIAL: UPVC

STANDARD: DIN, ANSI SCH40

COLOUR: White

CONNECTION: Socket



Unit:mm

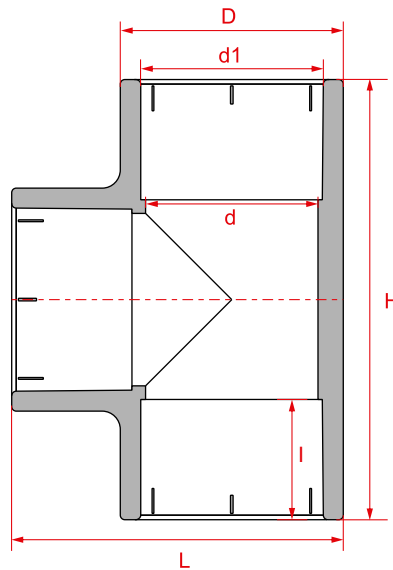
NOMINAL SIZE	STRUCTURE SIZE						PRESSURE	APPROX. WT.	PRODUCT CODE
	DN	d1	D	d	I	L			
DN15	20	27	19	16.5	39.3	48.7	16	17	217UD16W-20
DN20	25	33	24	19	46.7	58	16	28.3	217UD16W-25
DN25	32	40.5	30	22.5	56.5	68.1	16	45.2	217UD16W-32
DN32	40	49.1	38	26.5	68	81.2	16	70.4	217UD16W-40
DN40	50	61	46	31.5	82	96	16	125.3	217UD16W-50



Tee (White)

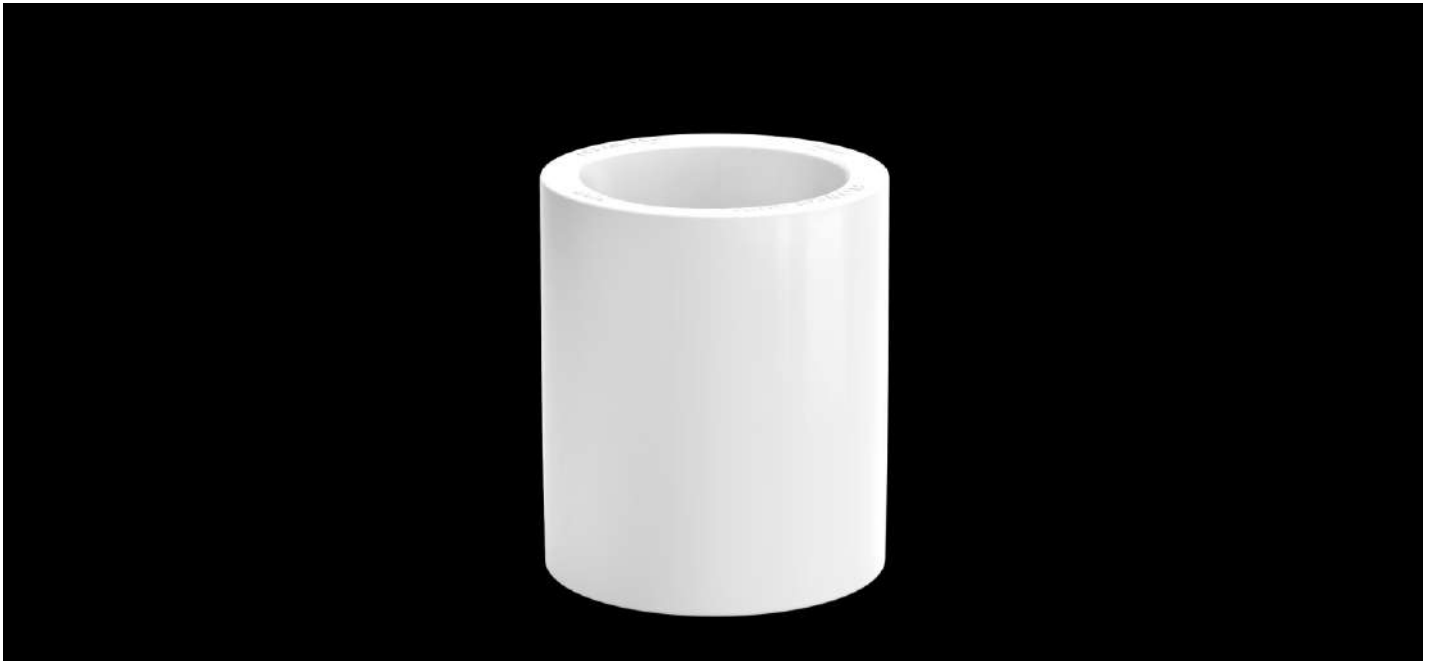
SIZE: DN15~DN50, 1/2"~ 2"

MATERIAL: **UPVC**
STANDARD: **DIN, ANSI SCH40**
COLOUR: **White**
CONNECTION: **Socket**



Unit:mm

NOMINAL SIZE	STRUCTURE SIZE						PRESSURE	APPROX. WT.	PRODUCT CODE
	DN	d1	D	d	I	L			
DN10	16	22	14	14	35	48	16	15.7	218UD16W-16
DN15	20	27	19	16.5	42	57	16	25.9	218UD16W-20
DN20	25	33	24	19	50.5	68	16	43	218UD16W-25
DN25	32	40.5	30	22.5	60.8	81	16	70	218UD16W-32
DN32	40	49.1	38	26.5	73	97	16	110	218UD16W-40
DN40	50	61	46	31.5	87.5	114	16	200	218UD16W-50
DN50	63	75.1	60	38	109	142	16	345	218UD16W-63



Coupling (White)

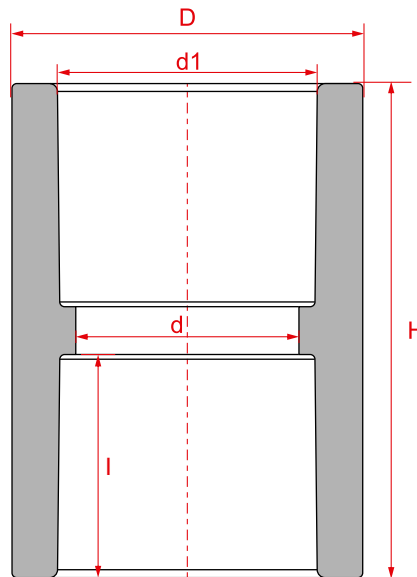
SIZE: DN15~DN50, 1/2"~ 2"

MATERIAL: UPVC

STANDARD: DIN, ANSI SCH40

COLOUR: White

CONNECTION: Socket



Unit:mm

NOMINAL SIZE	STRUCTURE SIZE					PRESSURE	APPROX. WT.	PRODUCT CODE
DN	d1	D	d	l	H	PN	g	White
DN15	20	27	16	16	35	16	13	219UD16W-20
DN20	25	33	21	19	41	16	21.3	219UD16W-25
DN25	32	41	28	22	48	16	36	219UD16W-32
DN32	40	49	38	26.5	57	16	51.9	219UD16W-40
DN40	50	61	45.2	31	67	16	92	219UD16W-50



Cap (White)

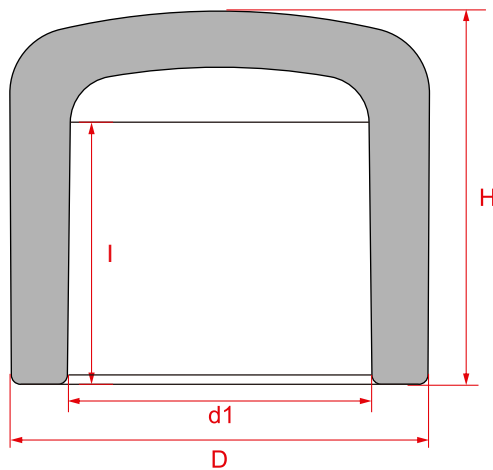
SIZE: DN15~DN50, 1/2"~ 2"

MATERIAL: UPVC

STANDARD: DIN, ANSI SCH40

COLOUR: White

CONNECTION: Socket



Unit:mm

NOMINAL SIZE	STRUCTURE SIZE				PRESSURE	APPROX. WT.	PRODUCT CODE
DN	d1	D	I	H	PN	g	White
DN15	20	27.3	16	23.1	16	9.6	220UD16W-20
DN20	25	33.3	19	27.3	16	15.9	220UD16W-25
DN25	32	41.3	22	31.6	16	26.4	220UD16W-32
DN32	40	49.3	26	36.2	16	37.7	220UD16W-40
DN40	50	61.3	31	43.6	16	68.6	220UD16W-50



Reducing Bushing

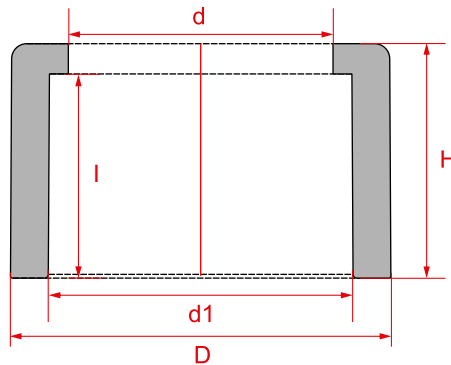
SIZE: DN20x15~DN50x40

MATERIAL: UPVC

STANDARD: DIN

COLOUR: Gray, White

CONNECTION: Socket+Spigot



Unit:mm

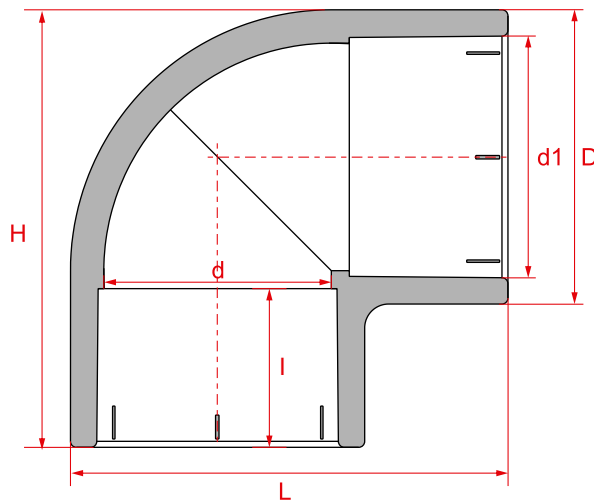
NOMINAL SIZE	STRUCTURE SIZE					PRESSURE	APPROX. WT.	PRODUCT CODE
DN	d1	D	d	I	H	PN	g	White
DN15xDN10	16	20	13	14	16	16	2.7	223UD16G-20/16
DN20xDN15	20	25	16	17	18.5	16	4.8	223UD16W-25/20
DN25xDN20	25	32	21	19.5	22	16	10.1	223UD16W-32/25
DN32xDN25	32	40	27.5	23	26	16	17.1	223UD16W-40/32
DN40xDN32	40	50	35	27	31	16	32.4	223UD16W-50/40
DN50xDN40	50	63	45	32	37.5	16	63.8	223UD16W-63/50



90° Elbow

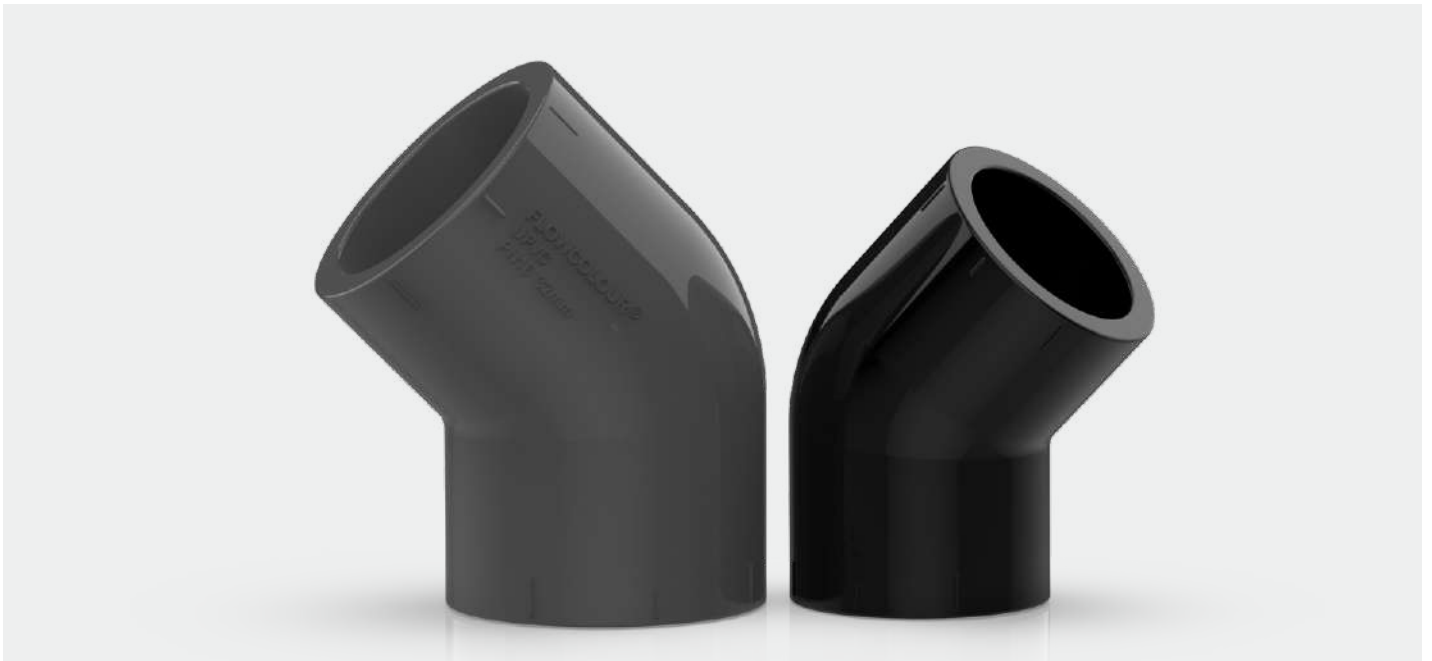
SIZE: DN10~DN50, 3/8"~ 2"

MATERIAL: UPVC
STANDARD: DIN, ANSI SCH40
COLOUR: Gray, Black
CONNECTION: Socket



Unit:mm

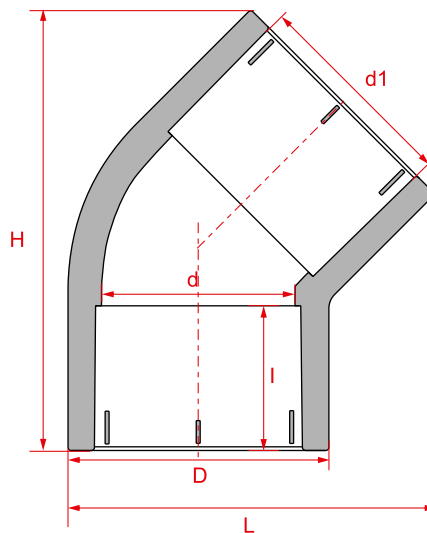
NOMINAL SIZE	STRUCTURE SIZE						PRESSURE	APPROX. WT.	PRODUCT CODE
DN	d1	D	d	I	L	H	PN	g	Gray
DN10	16	22	14	14	35	35	16	11.8	216UD16G-16
DN15	20	27	19	16.5	42	42	16	19.7	216UD16G-20
DN20	25	33	24	19	50.5	50.5	16	32.8	216UD16G-25
DN25	32	40.5	30	22.5	61	61	16	54.4	216UD16G-32
DN32	40	49.1	38	26.5	73	73	16	85	216UD16G-40
DN40	50	61	46	31.5	87.5	87.5	16	156.4	216UD16G-50
DN50	63	75.1	60	38	108	108	16	259.3	216UD16G-63



45° Elbow

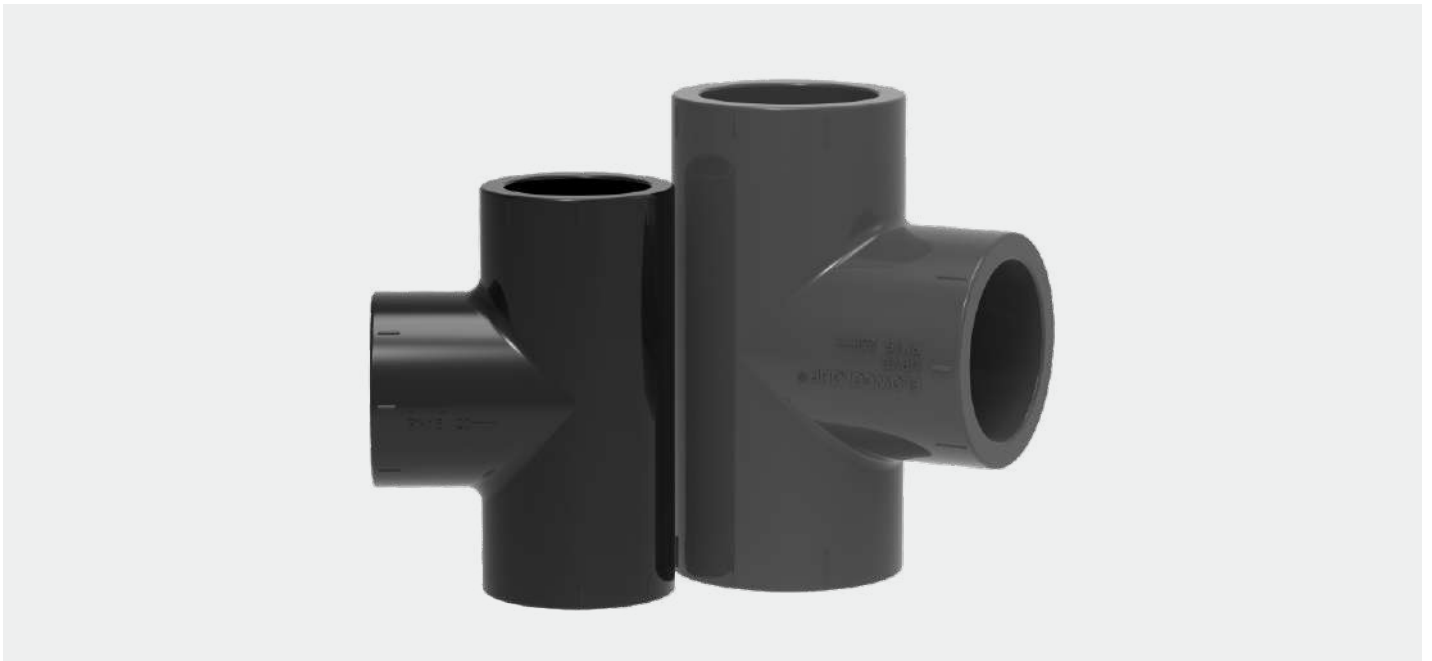
SIZE: DN10~DN50, 3/8"~ 2"

MATERIAL: UPVC
STANDARD: DIN, ANSI SCH40
COLOUR: Gray, Black
CONNECTION: Socket



Unit:mm

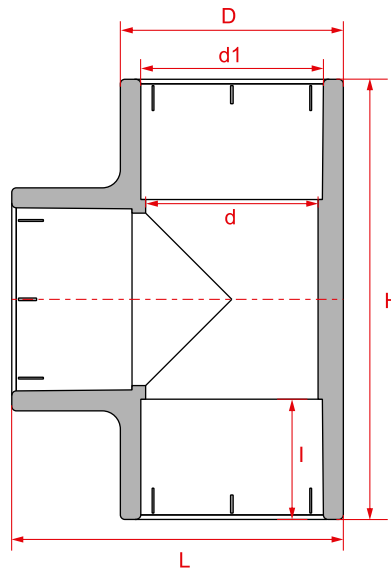
NOMINAL SIZE		STRUCTURE SIZE					PRESSURE	APPROX. WT.	PRODUCT CODE
DN	d1	D	d	I	L	H	PN	g	Gray
DN15	20	27	19	16.5	39.3	48.7	16	17	217UD16G-20
DN20	25	33	24	19	46.7	58	16	28.3	217UD16G-25
DN25	32	40.5	30	22.5	56.5	68.1	16	44.7	217UD16G-32
DN32	40	49.1	38	26.5	68	81.2	16	70.4	217UD16G-40
DN40	50	61	46	31.5	82	96	16	124.8	217UD16G-50
DN50	63	75.1	60	38	101	118	16	204.9	217UD16G-63



Tee

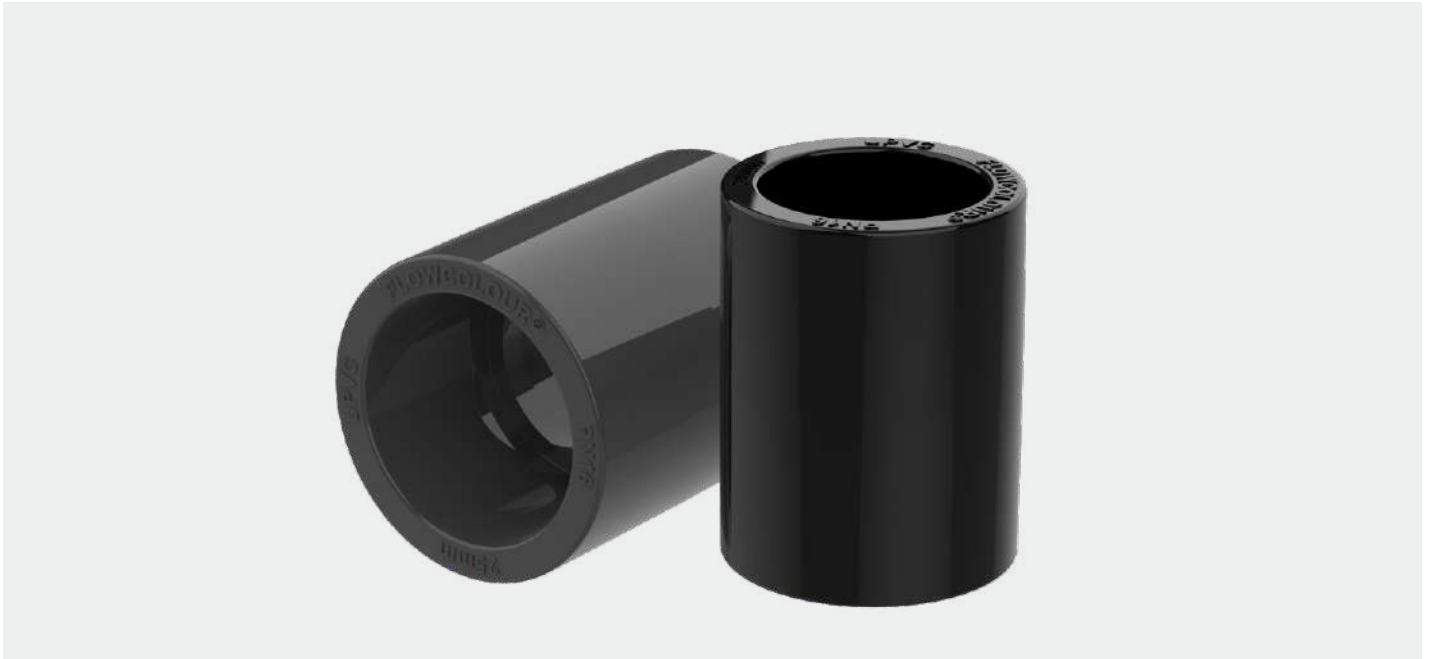
SIZE: DN10~DN50, 3/8"~2"

MATERIAL: **UPVC**
STANDARD: **DIN, ANSI SCH40**
COLOUR: **Gray, Black**
CONNECTION: **Socket**



Unit:mm

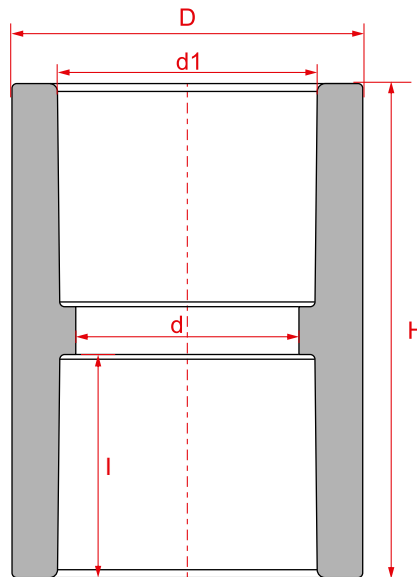
NOMINAL SIZE	STRUCTURE SIZE						PRESSURE	APPROX. WT.	PRODUCT CODE
	DN	d1	D	d	I	L			
DN10	16	22	14	14	35	48	16	15.7	218UD16G-16
DN15	20	27	19	16.5	42	57	16	25.9	218UD16G-20
DN20	25	33	24	19	50.5	68	16	43.7	218UD16G-25
DN25	32	40.5	30	22.5	60.8	81	16	70.8	218UD16G-32
DN32	40	49.1	38	26.5	73	97	16	109	218UD16G-40
DN40	50	61	46	31.5	87.5	114	16	196.9	218UD16G-50
DN50	63	75.1	60	38	109	142	16	346	218UD16G-63



Coupling

SIZE: DN10~DN50, 3/8"~2"

MATERIAL: UPVC
STANDARD: DIN, ANSI SCH40
COLOUR: Gray, Black
CONNECTION: Socket



Unit:mm

NOMINAL SIZE	STRUCTURE SIZE					PRESSURE	APPROX. WT.	PRODUCT CODE
	DN	d1	D	d	l			
DN10	16	22	14	14	31	16	7.9	219UD16G-16
DN15	20	27	16	16	35	16	12.8	219UD16G-20
DN20	25	33	21	19	41	16	21	219UD16G-25
DN25	32	41	28	22	48	16	35.5	219UD16G-32
DN32	40	49	38	26.5	57	16	51.4	219UD16G-40
DN40	50	61	45.2	31	67	16	90.7	219UD16G-50
DN50	63	75	57	38	81	16	148	219UD16G-63



Cap

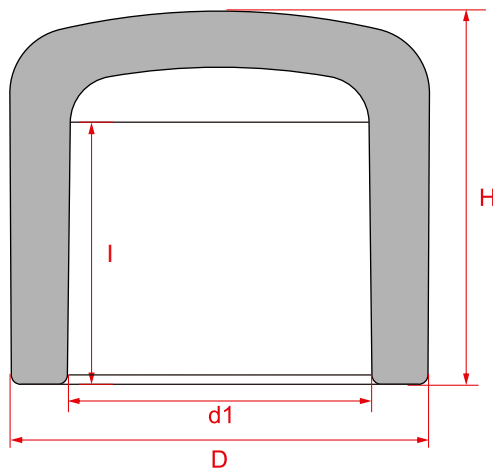
SIZE: DN10~DN50, 3/8"~ 2"

MATERIAL: **UPVC**

STANDARD: **DIN, ANSI SCH40**

COLOUR: **Gray, Black**

CONNECTION: **Socket**



Unit:mm

NOMINAL SIZE	STRUCTURE SIZE				PRESSURE	APPROX. WT.	PRODUCT CODE
DN	d1	D	I	H	PN	g	Gray
DN10	16	22.3	14	20	16	5.7	220UD16G-16
DN15	20	27.3	16	23.1	16	9.5	220UD16G-20
DN20	25	33.3	19	27.3	16	15.6	220UD16G-25
DN25	32	41.3	22	31.6	16	25.9	220UD16G-32
DN32	40	49.3	26	36.2	16	37.9	220UD16G-40
DN40	50	61.3	31	43.6	16	67.8	220UD16G-50
DN50	63	75.3	38	52.8	16	111.2	220UD16G-63



Female Reducer Bushing

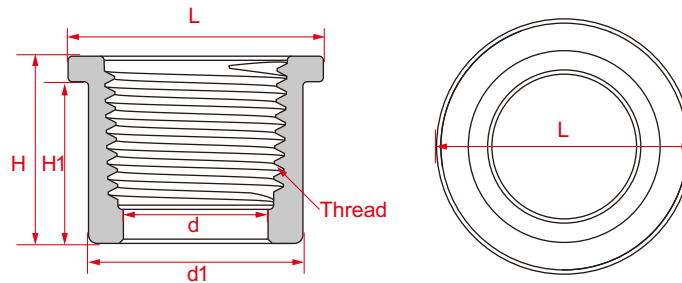
SIZE: DN10~DN25, 1/4"~ 3/4", 16A~25A

MATERIAL: **UPVC**

STANDARD: **DIN, ANSI, JIS**

COLOUR: **Gray**

CONNECTION: **Socket+FemaleThread**



Unit:mm

NOMINAL SIZE	STRUCTURE SIZE						PRESSURE	APPROX. WT.	PRODUCT CODE
	d1	d	L	H	H1	Thread			
20mm x 1/4"	20	10	25	19	16	1/4"PT	16		225UD16G-25/8P
20mm x 3/8"	20	13	25	19	16	3/8"PT	16	4.7	225UD16G-25/10P
25mm x 1/2"	25	17	30	22	19	1/2"PT	16		225UD16G-25/20P
25mm x 3/8"	25	13	30	22	19	3/8"PT	16	11.6	225UD16G-25/10P
32mm x 1/2"	32	17	35	25.5	22.5	1/2"PT	16	21.1	225UD16G-32/20P
32mm x 3/4"	32	23.8	35	25.5	22.5	3/4"PT	16	13.2	225UD16G-32/25P
32mm x 3/4"	32	23.8	35	25.5	22.5	3/4"NPT	16	13.2	225UA80G-32/25N
16A x 1/4"	22	10	25	33	30	1/4"PT	16	16	225UJ16G-20/8P
20A x 1/2"	26	17	30	38	35	1/2"PT	16		225UJ16G-25/20P
20A x 3/8"	26	13	30	25	22	3/8"PT	16		225UJ16G-25/10P
20A x 1/4"	26	10	30	38	35	1/4"PT	16	22	225UJ16G-25/8P
25A x 1/2"	32	17	35	43	40	1/2"PT	16	31	225UJ16G-25/20P
25A x 1/4"	32	10	35	43	40	1/4"PT	16	38	225UJ16G-32/8P



Male & Female Reducer Bushing

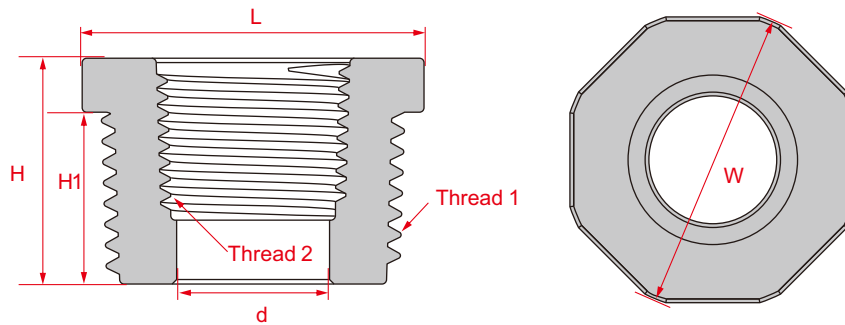
SIZE: 1/2"x1/4"~ 1"x3/4"

MATERIAL: **UPVC**

STANDARD: **DIN, ANSI**

COLOUR: **Gray**

CONNECTION: **Thread**



Unit:mm

NOMINAL SIZE	STRUCTURE SIZE						PRESSURE	APPROX. WT.	PRODUCT CODE	
	d	H	H1	L	W	Thread1				Thread2
3/4"x1/2"	16	23.5	17.5	32	33.5	3/4"NPT	1/2"NPT	16	10	226UA80G-25N/20N
1"x1/2"	16	27	21	38	40	1"NPT	1/2"NPT	16	22.8	226UA80G-32N/20N
1"x3/4"	22	27	21	38	40	1"NPT	3/4"NPT	16	16.4	226UA80G-32N/25N
1/2"x1/4"	10	21	15	26	27.5	1/2"PT	1/4"PT	16	8.7	226UD16G-20P/8P
1/2"x3/8"	13	21	15	26	27.5	1/2"PT	3/8"PT	16	6.2	226UD16G-20P/10P
3/4"x1/2"	13	22.3	16.3	32	33.5	3/4"PT	3/8"PT	16	10.6	226UD16G-25P/10P
3/4"x3/8"	17	22.3	16.3	32	33.5	3/4"PT	1/2"PT	16	13.9	226UD16G-25P/20P
1"x1/2"	17	25	19	38	40	1"PT	1/2"PT	16	23	226UD16G-32P/20P
1"x3/4"	23	25	19	38	40	1"PT	3/4"PT	16	15	226UD16G-32P/25P



Male Adapter

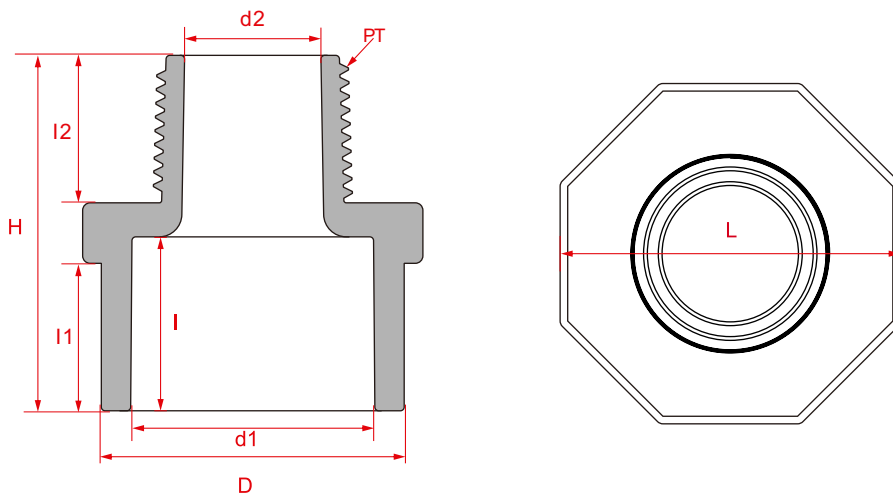
SIZE: 20mmx3/4", 32mmx3/4", 50mmx1-1/2"

MATERIAL: UPVC

STANDARD: DIN, PT

COLOUR: Gray

CONNECTION: Thread+Socket+Spigot



Unit:mm

NOMINAL SIZE	STRUCTURE SIZE									PRESSURE	APPROX. WT.	PRODUCT CODE
d1*PT	d1	D	d2	I	L	H	I1	I2	PT	PN	g	Gray
20mm*3/4"	20	25	18	16.5	30	46.5	19	19.5	3/4"	16	15.7	224UD16G-25P/20
32mm*3/4"	32	40	18	22.5	45	47	19.5	19.5	3/4"	16	30.6	224UD16G-25P/32
50mm*1-1/2"	50	63	37.2	32.5	64	63	29	24	1-1/2"	16	88.9	224UD16G-50P/50



Single Spigot 90°Elbow

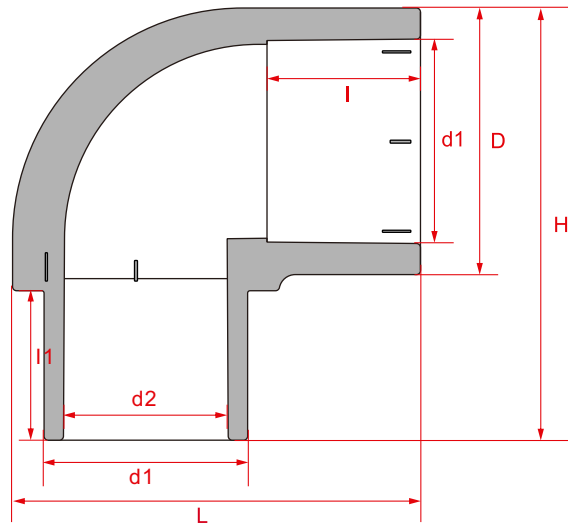
SIZE: DN15~DN40

MATERIAL: UPVC

STANDARD: DIN

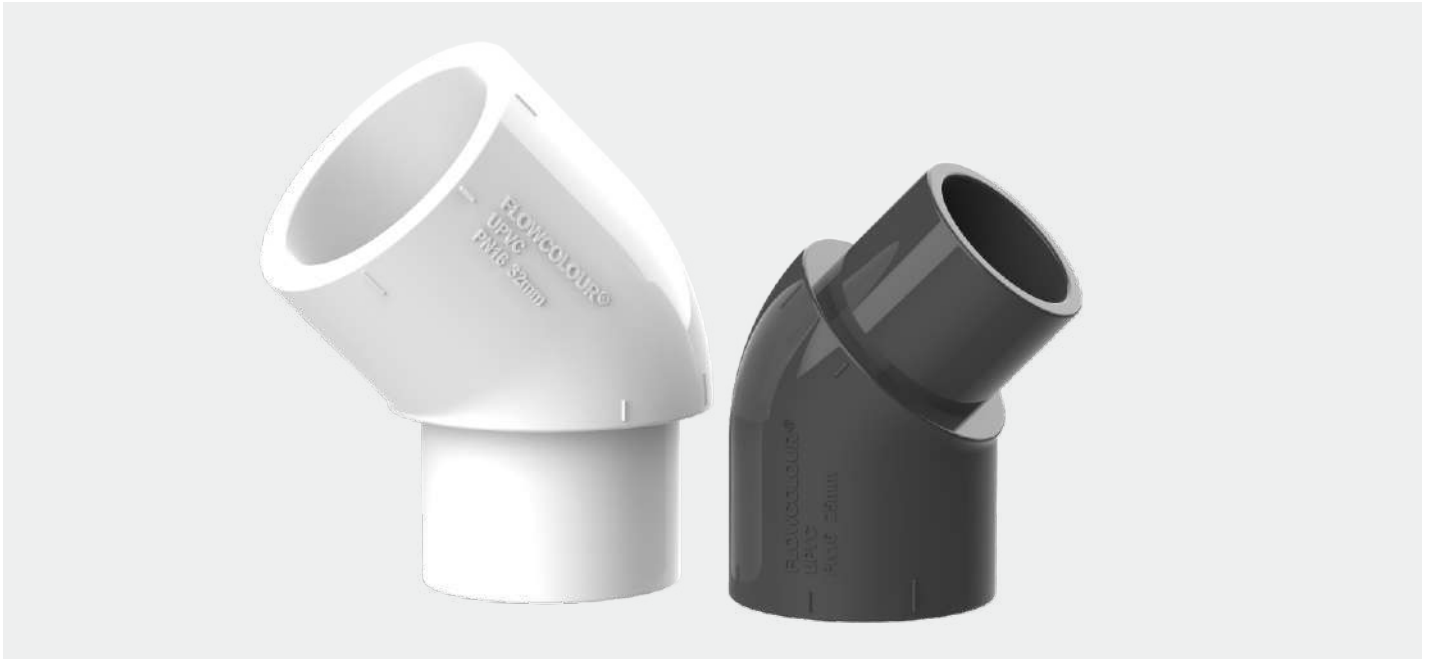
COLOUR: Gray, White

CONNECTION: Socket+Spigot



Unit:mm

NOMINAL SIZE	STRUCTURE SIZE							PRESSURE	APPROX. WT.	PRODUCT CODE
DN	d1	D	d2	I	I1	L	H	PN	g	Gray
DN15	20	27	15	16.5	16	42	44.5	16	21.1	231UD16G-20
DN20	25	33	20	19	18.5	50.5	53.5	16	34.2	231UD16G-25
DN25	32	40.5	26	22.5	22	60.7	65	16	57.2	231UD16G-32
DN32	40	49	34	26.5	26	73	79	16	93.8	231UD16G-40
DN40	50	61	42.5	31.5	31	87.5	95	16	168	231UD16G-50



Single Spigot 45°Elbow

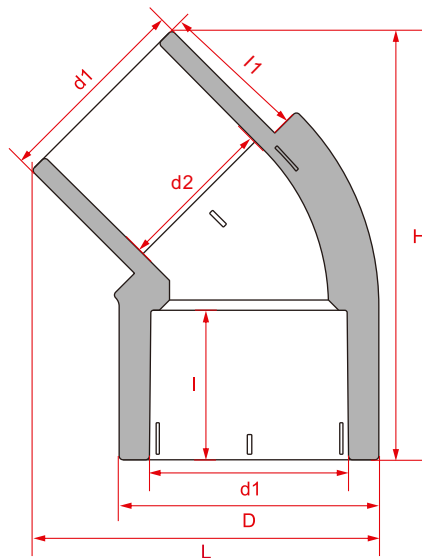
SIZE: DN15~DN25

MATERIAL: UPVC

STANDARD: DIN

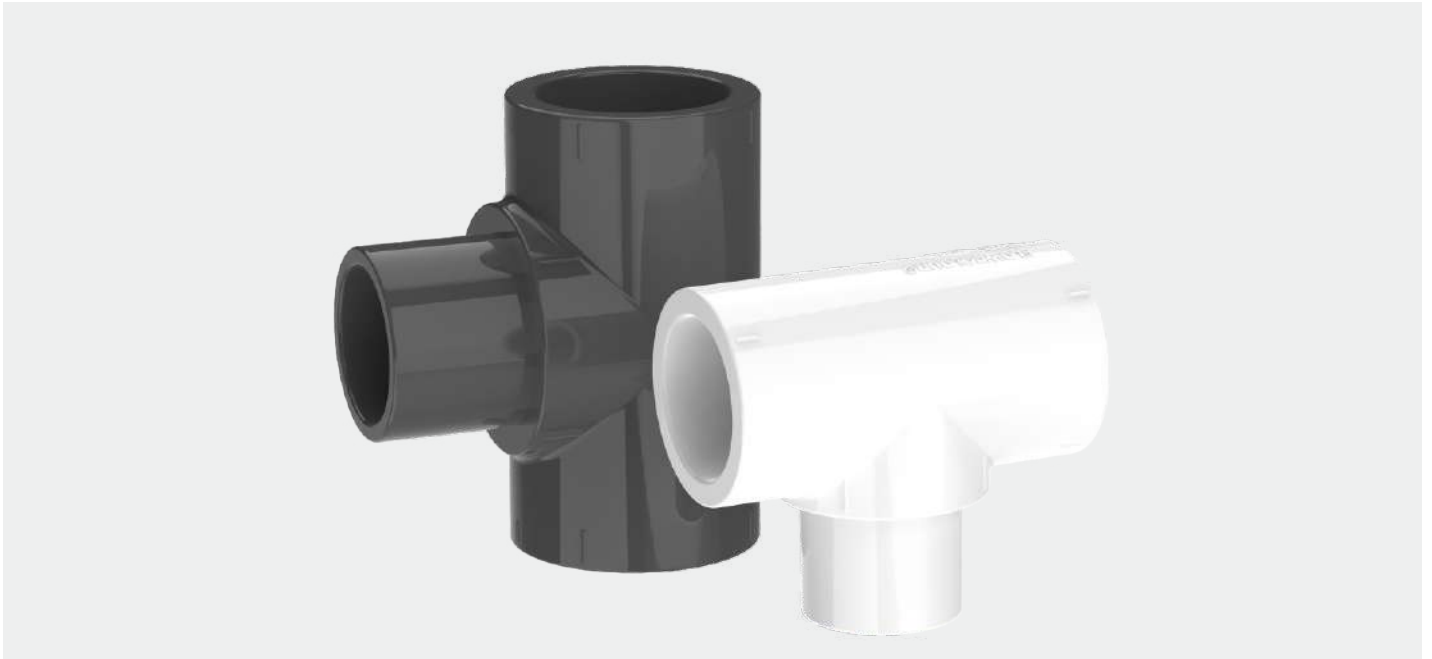
COLOUR: Gray, White

CONNECTION: Socket+Spigot



Unit:mm

NOMINAL SIZE	STRUCTURE SIZE							PRESSURE	APPROX. WT.	PRODUCT CODE
DN	d1	D	d2	I	I1	L	H	PN	g	Gray
DN15	20	27	15	16.5	16	36.2	45.7	16		233UD16G-20
DN20	25	33	20	19	18.5	44	54.4	16		233UD16G-25
DN25	32	40.5	26	22.5	22	53.5	65	16		233UD16G-32



Single Spigot Tee

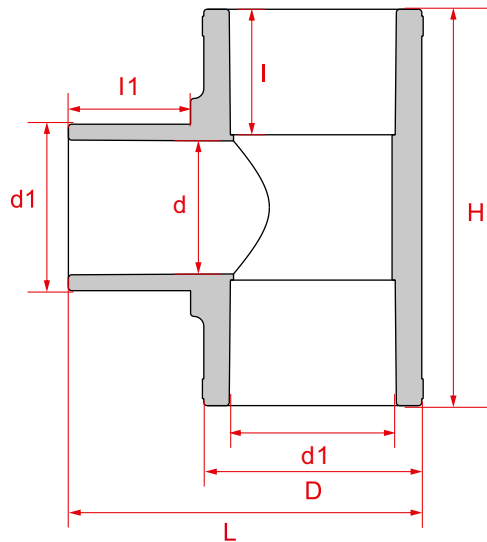
SIZE: DN15~DN40

MATERIAL: UPVC

STANDARD: DIN

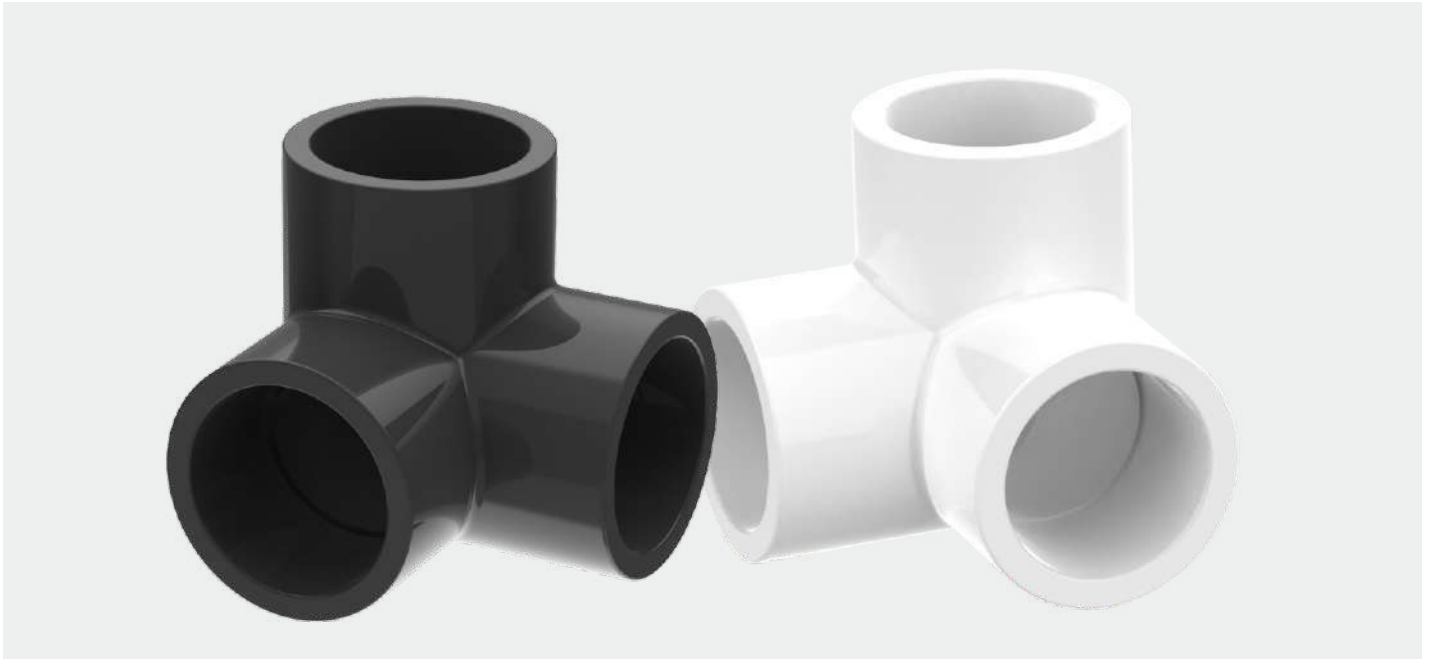
COLOUR: Gray, White

CONNECTION: Socket+Spigot



Unit:mm

NOMINAL SIZE	STRUCTURE SIZE							PRESSURE	APPROX. WT.	PRODUCT CODE
DN	d1	D	d	I	I1	L	H	PN	g	Gray
DN15	20	27	15.4	16.5	16	44.5	50	16	27	232UD16W-20
DN20	25	33	20.4	19	18.5	53.5	60	16	37.6	232UD16W-25
DN25	32	40.5	26.4	22.5	22	64.5	73	16	63	232UD16W-32
DN32	40	49	34	26.5	26	79	89	16	103	232UD16W-40
DN40	50	61	42.8	31.5	31	95.5	108	16	191.7	232UD16W-50



3-way Elbow

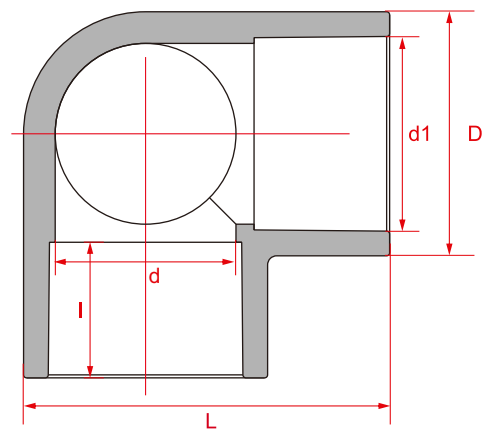
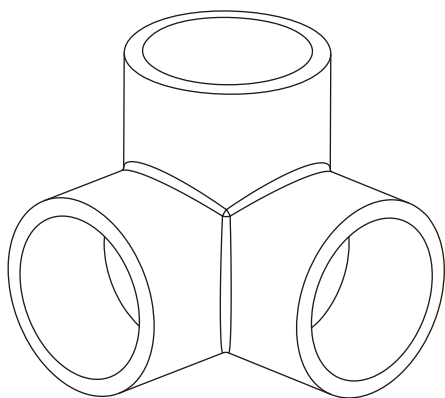
SIZE: DN15~DN40

MATERIAL: UPVC

STANDARD: DIN

COLOUR: Gray, White

CONNECTION: Socket



Unit:mm

NOMINAL SIZE	STRUCTURE SIZE					PRESSURE	APPROX. WT.	PRODUCT CODE
DN	d1	D	d	l	L	PN	g	Gray
DN15	20	27	19	16.5	42	16	25.7	228UD16G-20
DN20	25	33	24	19	50.5	16	42.5	228UD16G-25
DN25	32	40.5	30	22.5	60.8	16	68	228UD16G-32
DN32	40	49.2	37.8	26.5	73	16		228UD16G-40
DN40	50	61	46	31.5	87.5	16	192	228UD16G-50



4-way Tee

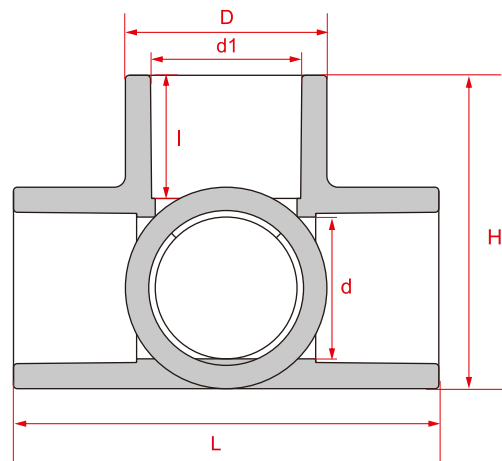
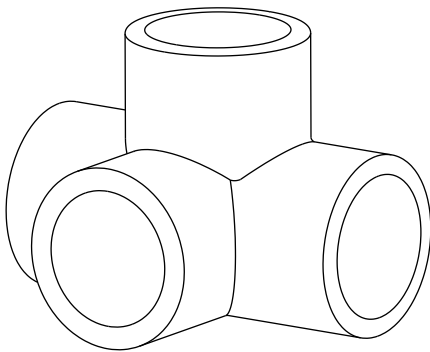
SIZE: DN15~DN25

MATERIAL: **UPVC**

STANDARD: **DIN**

COLOUR: **Gray, White**

CONNECTION: **Socket**



Unit:mm

NOMINAL SIZE	STRUCTURE SIZE						PRESSURE	APPROX. WT.	PRODUCT CODE
DN	d1	D	d	I	L	H	PN	g	Gray
DN15	20	27	19	16.5	57	42	16	30.9	229UD16G-20
DN20	25	33	24	19	68	50.5	16		229UD16G-25
DN25	32	40.5	30	22.5	81	60.75	16		229UD16G-32



5-way Cross

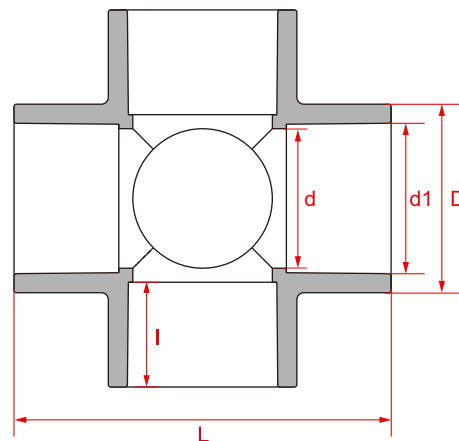
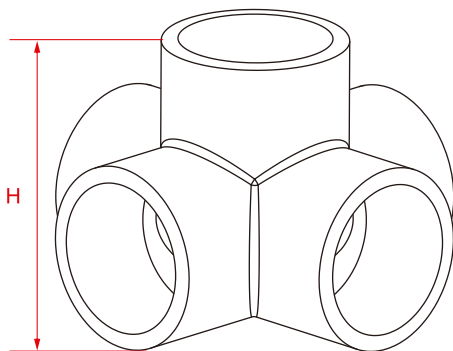
SIZE: DN15~DN25

MATERIAL: **UPVC**

STANDARD: **DIN**

COLOUR: **Gray, White**

CONNECTION: **Socket**



Unit:mm

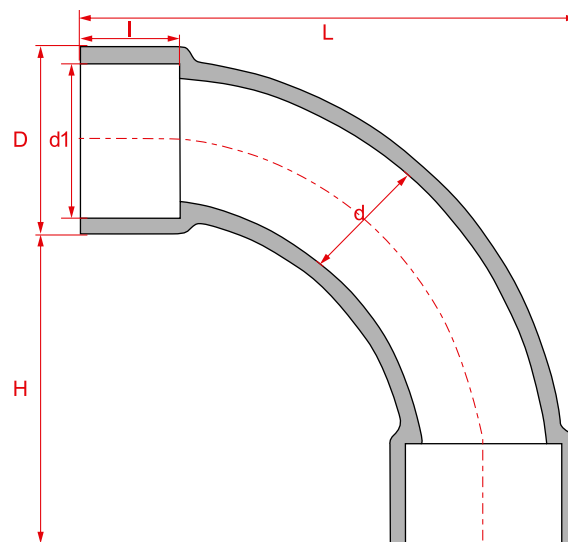
NOMINAL SIZE	STRUCTURE SIZE						PRESSURE	APPROX. WT.	PRODUCT CODE
DN	d1	D	d	I	L	H	PN	g	Gray
DN15	20	27	19	16.5	57	42	16	34.8	230UD16G-20
DN20	25	33	24	19	68	50.5	16	57.4	230UD16G-25
DN25	32	40.5	30	22.5	81	60.75	16	89.7	230UD16G-32



90° Bend Elbow

SIZE: DN15~DN50

MATERIAL: UPVC
STANDARD: DIN
COLOUR: Gray, White
CONNECTION: Socket



Unit:mm

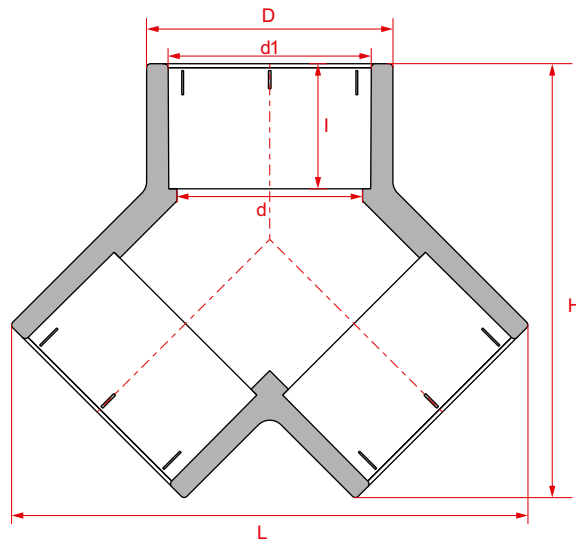
NOMINAL SIZE	STRUCTURE SIZE						PRESSURE	APPROX. WT.	PRODUCT CODE
DN	d1	D	d	l	L	H	PN	g	Gray
DN15	20	27	16.5	16.5	70.5	43.5	16	36	204UD16G-20
DN20	25	33	20.5	19	85.1	52.1	16	60	204UD16G-25
DN25	32	41	26	22.5	106.5	65.5	16	107	204UD16G-32
DN32	40	50	32	26	130.4	80.4	16	174	204UD16G-40
DN40	50	61	40	31	161	100	16	291	204UD16G-50
DN50	63	76	50	38	201.5	125.5	16	530	204UD16G-63



Y Tee

SIZE: DN15~DN50

MATERIAL: UPVC, Clear-PVC, CPVC
STANDARD: DIN
COLOUR: Gray, Black
CONNECTION: Socket



Unit:mm

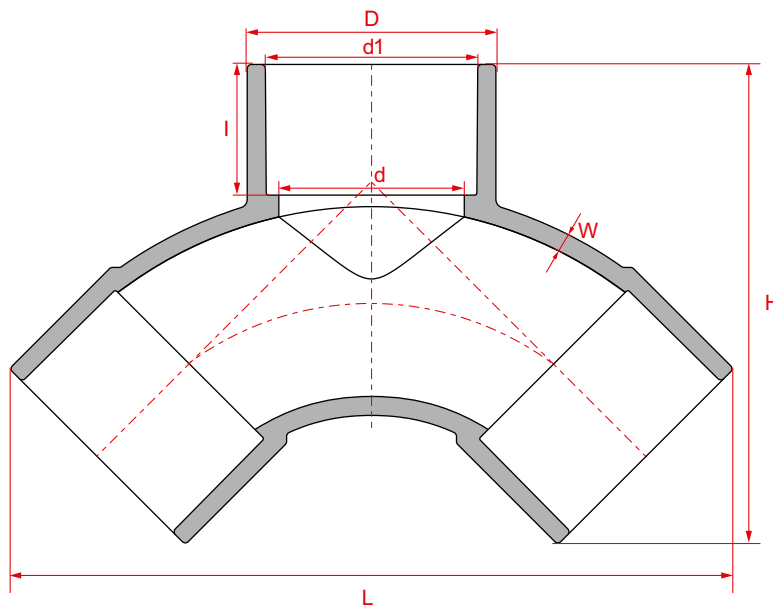
NOMINAL SIZE	STRUCTURE SIZE						PRESSURE	APPROX. WT.	PRODUCT CODE
DN	d1	D	d	l	L	H	PN	g	Gray
DN15	20	27	19	16.5	61	53.4	16	25	211UD16G-20
DN20	25	33	24	19	72.4	63.2	16	39	211UD16G-25
DN25	32	40.5	30	22.5	87.2	75.3	16	70	211UD16G-32
DN32	40	49	38	26.5	106.6	90.6	16	107	211UD16G-40
DN40	50	61	46	31.5	127.9	107.5	16	190	211UD16G-50
DN50	63	75	60	38	160.3	133.6	16	316	211UD16G-63



Bend Tee

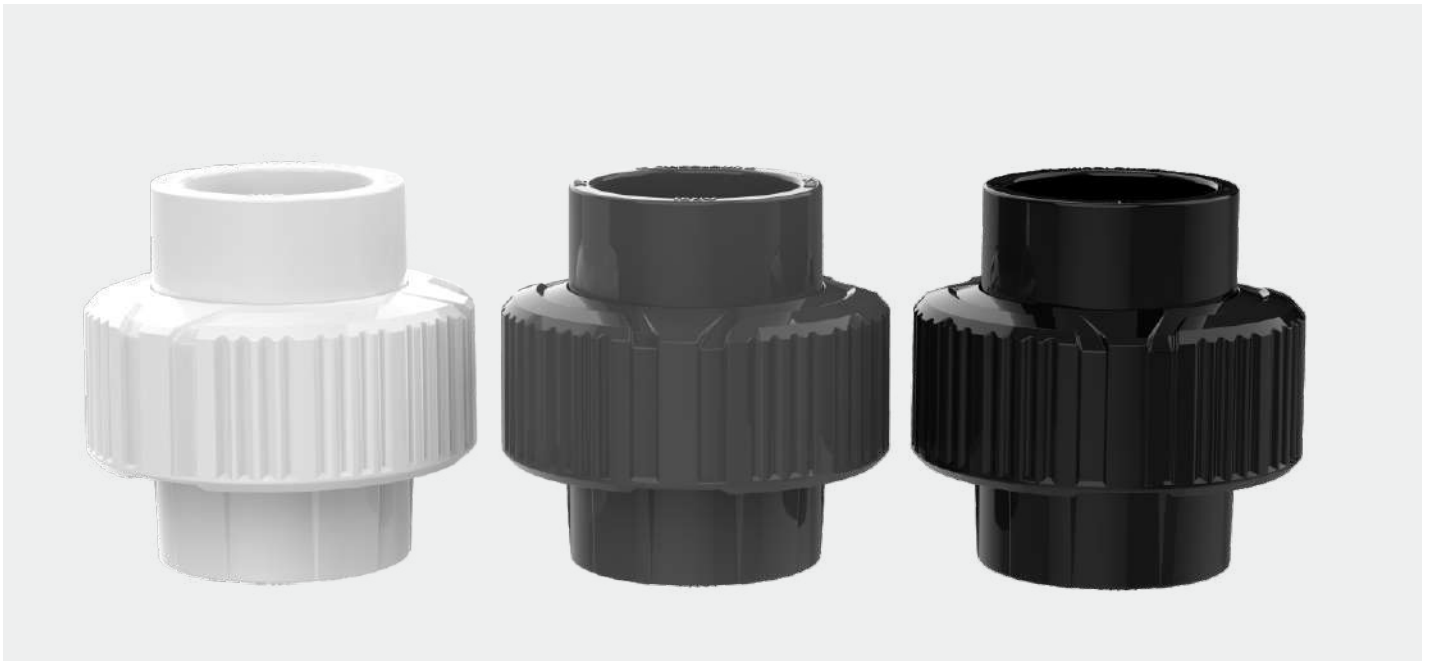
SIZE: DN40~DN50

MATERIAL: UPVC
STANDARD: DIN
COLOUR: Gray, Black
CONNECTION: Socket



Unit:mm

NOMINAL SIZE	STRUCTURE SIZE							PRESSURE	APPROX. WT.	PRODUCT CODE
DN	d1	D	d	I	L	H	W	PN	g	
DN40	50	59	46	31	171.1	113.5	4.5	16	198.5	205UD16G-50
DN50	63	74	59	38	213.8	141.9	5	16	356.8	205UD16G-63



Union

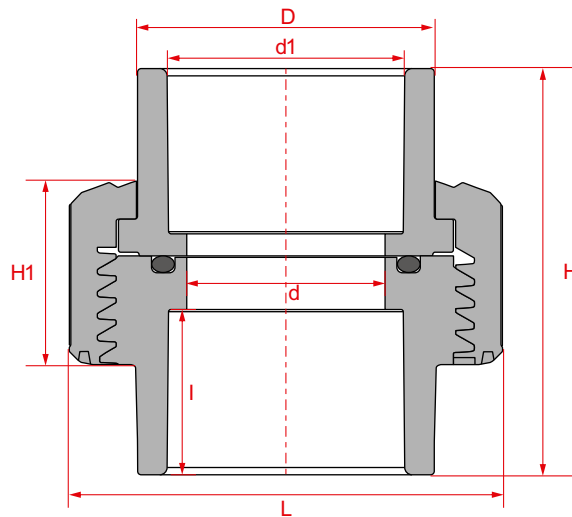
SIZE: DN15~DN50, 1/2"~ 2"

MATERIAL: UPVC

STANDARD: DIN, ANSI Sch40

COLOUR: Gray, White, Black

CONNECTION: Socket



Unit:mm

NOMINAL SIZE		d1		STRUCTURE SIZE						PRESSURE	APPROX. WT.(g)		PRODUCT CODE
DN	Inch	DIN	ANSI	D	d	l	L	H	H1	PN	DIN	ANSI	DIN Gray
DN15	1/2"	20	21.34	27	15	16.5	44.5	43.8	19.8	16	40.2	--	207UD16G-20E
DN20	3/4"	25	26.67	33	20	19	51	50	23	16	60.4	--	207UD16G-25E
DN25	1"	32	33.4	40.4	27	22.5	59	55.3	25	16	82.1	77.6	207UD16G-32E
DN32	1-1/4"	40	42.16	49.5	34	26.5	73	65	29	16	142	132.5	207UD16G-40E
DN40	1-1/2"	50	48.26	58.7	40	31.5	85	76.5	32.5	16	206	--	207UD16G-50E
DN50	2"	63	60.33	74.6	53	38	104	95	37	16	373.4	--	207UD16G-63E



Spigot Union

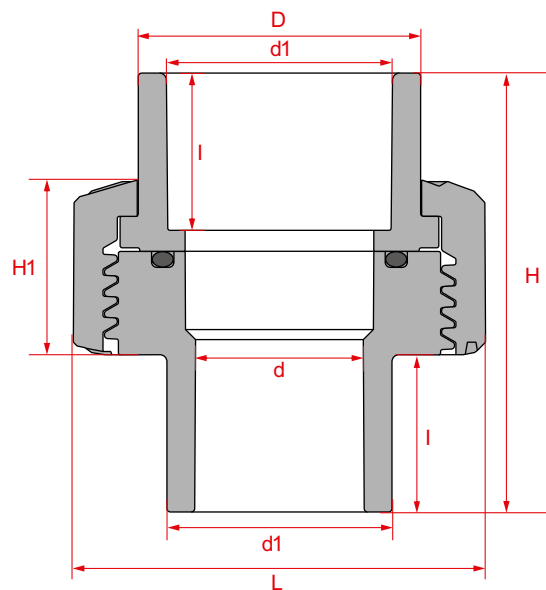
SIZE: DN15~DN50

MATERIAL: UPVC

STANDARD: DIN

COLOUR: Gray, White

CONNECTION: Socket+Spigot



Unit:mm

NOMINAL SIZE	STRUCTURE SIZE							PRESSURE	APPROX. WT.	PRODUCT CODE
DN	d1	D	d	I	L	H	H1	PN	g	Gray
DN15	20	27	15	16.5	44.5	48.3	20.6	16	40.6	227UD16G-20E
DN20	25	33	18.5	19	51	55.4	22.9	16	60.6	227UD16G-25E
DN25	32	40.4	24	22.5	59	62.8	25	16	85.4	227UD16G-32E
DN32	40	49.5	32	26.5	73	73.5	28.9	16	145.3	227UD16G-40E
DN40	50	58.7	40	31.5	85	86	32.5	16	220	227UD16G-50E
DN50	63	74.6	52	38	104	104	37	16	381.8	227UD16G-63E



Female Thread Union

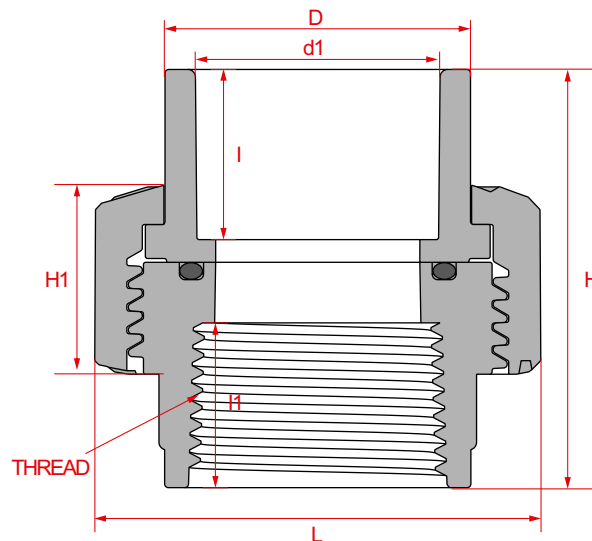
SIZE: DN15~DN50, 1/2"~ 2"

MATERIAL: UPVC

STANDARD: DIN, ANSI Sch40

COLOUR: Gray, White

CONNECTION: Socket+Female Thread



Unit:mm

NOMINAL SIZE	d1		THREAD		STRUCTURE SIZE						PRESSURE	APPROX. WT.(g)	PRODUCT CODE
	DN	DIN	ANSI	PT	NPT	D	I	I1	L	H	H1	PN	DIN
DN15	20	21.34	1/2"	1/2"	27	16.5	17.2	44.5	43.8	20.6	16	41.4	208UD16G-20EP
DN20	25	26.67	3/4"	3/4"	33	19	19.5	51	50	22.9	16	60.6	208UD16G-25EP
DN25	32	33.4	1"	1"	40.4	22.5	21.8	59	55.3	25	16	84.4	208UD16G-32EP
DN32	40	42.16	1-1/4"	1-1/4"	49.5	26.5	24	73	65	28.9	16	145.4	208UD16G-40EP
DN40	50	48.26	1-1/2"	1-1/2"	58.7	31.5	24	85	76.5	32.5	16	229.5	208UD16G-50EP
DN50	63	60.33	2"	2"	74.6	38	29	104	95	37	16	408.5	208UD16G-63EP



Male Thread Union

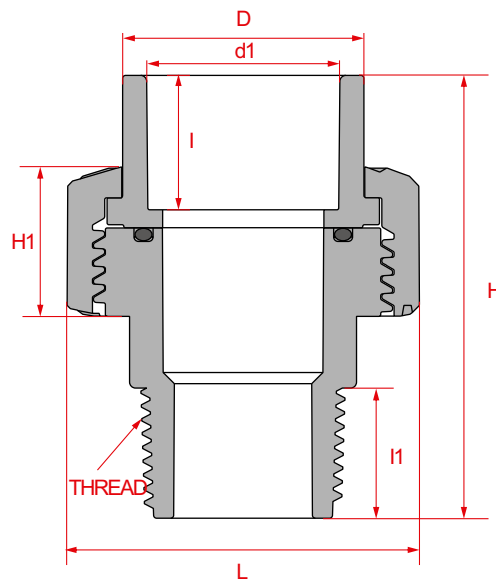
SIZE: DN15~DN50, 1/2"~ 2"

MATERIAL: UPVC

STANDARD: DIN, ANSI Sch40

COLOUR: Gray, White

CONNECTION: Socket+Male Thread



Unit:mm

NOMINAL SIZE	d1		THREAD		STRUCTURE SIZE						PRESSURE	APPROX. WT.(g)	PRODUCT CODE
	DIN	ANSI	PT	NPT	D	I	I1	L	H	H1	PN	DIN	DIN Gray
DN15	20	21.34	1/2"	1/2"	27	16.5	17.2	44.5	59	20.6	16	45.1	209UD16G-20EP
DN20	25	26.67	3/4"	3/4"	33	19	19.5	51	65.9	22.9	16	66.8	209UD16G-25EP
DN25	32	33.4	1"	1"	40.4	22.5	21.8	59	74	25	16	95	209UD16G-32EP
DN32	40	42.16	1-1/4"	1-1/4"	49.5	26.5	24	73	85	28.9	16	159.4	209UD16G-40EP
DN40	50	48.26	1-1/2"	1-1/2"	58.7	31.5	24	85	94.6	32.5	16	231.5	209UD16G-50EP
DN50	63	60.33	2"	2"	74.6	38	28.4	104	110.4	37	16	395.3	209UD16G-63EP



Spigot Screen

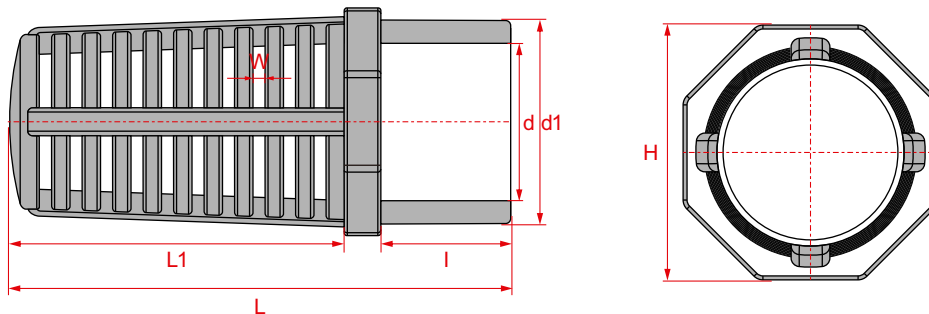
SIZE: DN15~DN50

MATERIAL: UPVC

STANDARD: DIN

COLOUR: Gray

CONNECTION: Spigot+Socket



Unit:mm

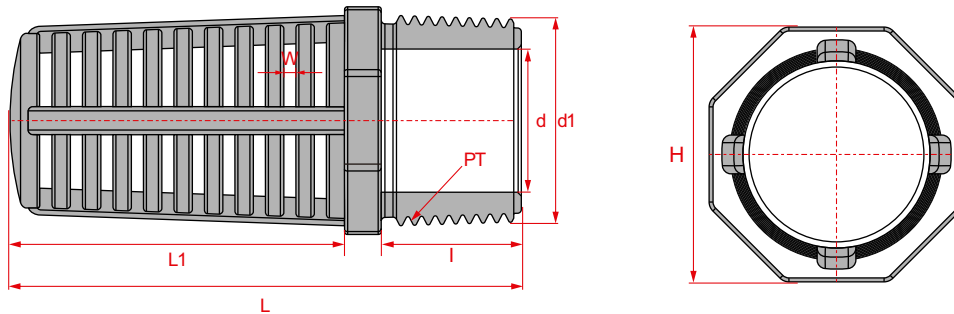
NOMINAL SIZE	STRUCTURE SIZE							PRESSURE	APPROX. WT.	PRODUCT CODE
DN	d1	d	I	L	L1	H	W	PN	g	
DN15	20	13	16	61.6	39.6	25	1.8	10	13.9	201UD10G-20SPG
DN20	25	18	18.5	69.8	44.9	30	1.8	10	22.6	201UD10G-25SPG
DN25	32	23	22	79.5	50.5	37	1.8	10	37.6	201UD10G-32SPG
DN32	40	32	26	99.5	66	45	2.3	10	56.9	201UD10G-40SPG
DN40	50	40	31	111.4	72.5	56	2.3	10	88	201UD10G-50SPG
DN50	63	50	37.5	118.8	73	69	2.3	10	143.4	201UD10G-63SPG



Thread Screen

SIZE: DN15~DN50

MATERIAL: UPVC
STANDARD: DIN
COLOUR: Gray
CONNECTION: Thread



Unit:mm

NOMINAL SIZE	STRUCTURE SIZE								PRESSURE	APPROX. WT.	PRODUCT CODE
DN	d1	d	I	L	L1	H	W	Thread	PN	g	
DN15	1/2"	13	17.2	62.8	39.6	25	1.8	PT	10	13.8	201UD10G-20P
DN20	3/4"	18	19.5	70.9	44.9	30	1.8	PT	10	23.2	201UD10G-25P
DN25	1"	23	21.8	79.3	50.5	37	1.8	PT	10	37.2	201UD10G-32P
DN32	1-1/4"	31	24.1	97.6	66	45	2.3	PT	10	57.3	201UD10G-40P
DN40	1-1/2"	37	24.1	104.5	72.5	56	2.3	PT	10	78.4	201UD10G-50P
DN50	2"	48	28.4	109.9	73	69	2.3	PT	10	116.3	201UD10G-63P



Socket Hose Adapter

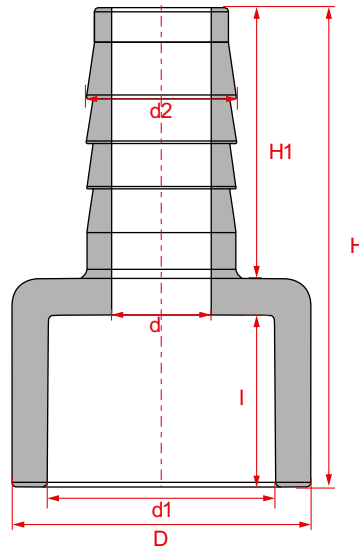
SIZE: DN15~DN20

MATERIAL: UPVC

STANDARD: DIN

COLOUR: Gray, White

CONNECTION: Socket+Spigot



Unit:mm

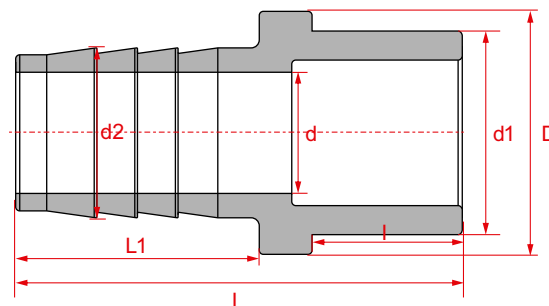
NOMINAL SIZE	STRUCTURE SIZE							PRESSURE	APPROX. WT.	PRODUCT CODE
d1*d2	d1	d2	D	d	l	H	H1	PN	g	Gray
20*12.5	20	12.5	27	7	16	50	30	10	11.6	202UD10G-20/12.5
20*16.5	20	16.5	27	11	16	50	30	10	12.6	202UD10G-20/16.5
20*21	20	21	27	15	16	50	30	10	14.3	202UD10G-20/21
25*16.5	25	16.5	32.8	11	19	52.5	30	16	17.8	202UD16G-25/16.5
25*21	25	21	32.8	15	19	52.8	30	16	19.6	202UD16G-25/21
25*26	25	26	32.8	19	19	57.8	35	16	22.6	202UD16G-25/26



Spigot Hose Adapter

SIZE: DN15~DN25

MATERIAL: UPVC, CPVC
STANDARD: DIN
COLOUR: Gray, White
CONNECTION: Spigot



Unit:mm

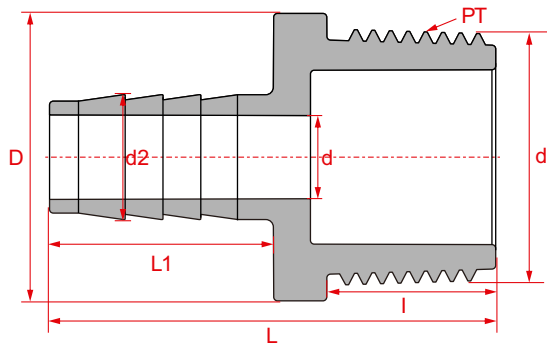
NOMINAL SIZE	STRUCTURE SIZE							PRESSURE	APPROX. WT.	PRODUCT CODE
	d1*d2	d1	d2	D	d	l	L			
20*12.5	20	12.5	25	7	16	52	30	10	10.3	203UD10G-20/12.5
20*16.5	20	16.5	25	11	16	52	30	10	11.2	203UD10G-20/16.5
20*21	20	21	25	15	16	52	30	10	12.8	203UD10G-20/21
25*12.5	25	12.5	30	7	18.5	55	30	10	14.3	203UD10G-25/12.5
25*16.5	25	16.5	30	11	18.5	55	30	10	15.2	203UD10G-25/16.5
25*21	25	21	30	15	18.5	55	30	10	16.7	203UD10G-25/21
25*26	25	26	30	18	18.5	60	35	10	21.9	203UD10G-25/26
32*12.5	32	12.5	38	7	22	59	30	10	20.7	203UD10G-32/12.5
32*16.5	32	16.5	38	11	22	59	30	10	21.8	203UD10G-32/16.5
32*21	32	21	38	15	22	59	30	10	23.4	203UD10G-32/21
32*26	32	26	38	19	22	64	35	10	27.2	203UD10G-32/26
32*33	32	33	38	23	22	67	37.8	10	36.8	203UD10G-32/33



Male Hose Adapter

SIZE: DN15~DN25, 1/2"~ 1"

MATERIAL: **UPVC**
STANDARD: **DIN**
COLOUR: **Gray, White**
CONNECTION: **Thread**



Unit:mm

NOMINAL SIZE	STRUCTURE SIZE								PRESSURE	APPROX. WT.	PRODUCT CODE
d1*d2	d1	d2	D	d	l	L	L1	Thread	PN	g	PT Gray
1/2"*12.5	1/2"	12.5	26	7	16.2	52	29.8	PT	10	10.2	222UD10G-20P/12.5
1/2"*16.5	1/2"	16.5	26	11	16.2	52	29.8	PT	10	11.2	222UD10G-20P/16.5
1/2"*21	1/2"	21	26	13	16.2	52	29.8	PT	10	12.5	222UD10G-20P/21
3/4"*12.5	3/4"	12.5	32	7	18.8	55	29.7	PT	10	15.4	222UD10G-25P/12.5
3/4"*16.5	3/4"	16.5	32	11	18.8	55	29.7	PT	10	16.3	222UD10G-25P/16.5
3/4"*21	3/4"	21	32	15	18.8	55	29.7	PT	10	17.9	222UD10G-25P/21
3/4"*26	3/4"	26	32	18	18.8	60	34.7	PT	10	23	222UD10G-25P/26
1"*12.5	1"	12.5	38	7	22.3	59	29.6	PT	10	23.6	222UD10G-32P/12.5
1"*16.5	1"	16.5	38	11	22.3	59	29.6	PT	10	24.5	222UD10G-32P/16.5
1"*21	1"	21	38	15	22.3	59	29.6	PT	10	25.8	222UD10G-32P/21
1"*26	1"	26	38	19	22.3	64	34.6	PT	10	29.2	222UD10G-32P/26
1"*33	1"	33	38	23	22.3	67	37.6	PT	10	38.3	222UD10G-32P/33



Nipple

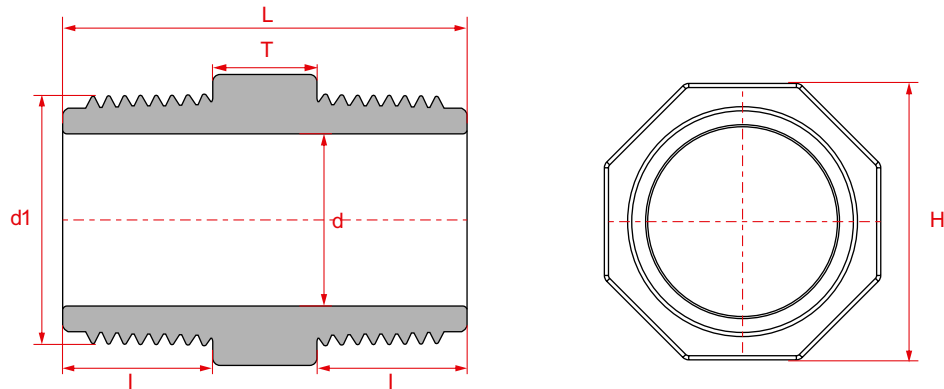
SIZE: DN10~DN50, 3/8"~2"

MATERIAL: UPVC

STANDARD: DIN, ANSI

COLOUR: Gray, White

CONNECTION: Thread



Unit:mm

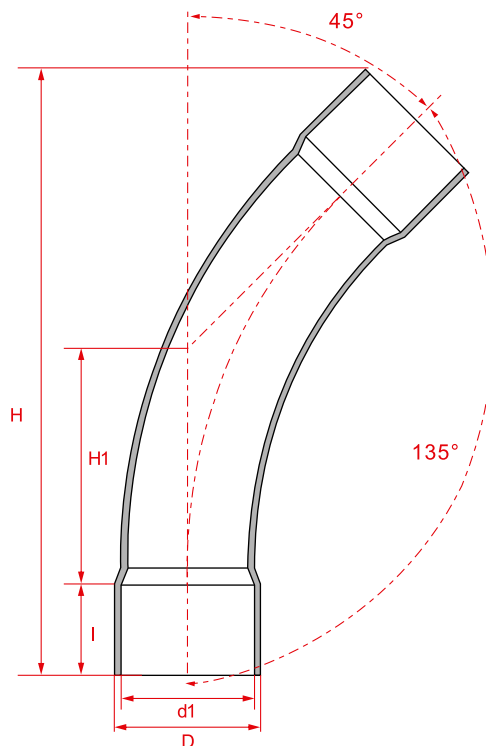
NOMINAL SIZE		d1	d		I		L		H	T	PRESSURE	APPROX. WT.(g)		PRODUCT CODE
DN	Inch	PT/NPT	PT	NPT	PT	NPT	PT	NPT			PN	PT	NPT	PT Gray
DN10	3/8"	3/8"	11	11		12		32	18	8	16		6.1	212UA80G-16N
DN15	1/2"	1/2"	13	13	15	17	42	46	26	12	16	14.1	15.1	212UD16G-20P
DN20	3/4"	3/4"	18	18	16.3	17.5	44.6	47	32	12	16	20.7	21	212UD16G-25P
DN25	1"	1"	23	22	19.1	21	50.2	54	38	12	16	31.8	35.6	212UD16G-32P
DN32	1-1/4"	1-1/4"	31	31	21.5	22	58	59	48	15	16	53	53	212UD16G-40P
DN40	1-1/2"	1-1/2"	36	36	21.5	22	58	59	52	15	16	62.3	63.6	212UD16G-50P
DN50	2"	2"	46	46	25.7	23	66.4	61	67	15	16	108.2	104	212UD16G-63P



4D Radius Bocht 45°

SIZE: DN50

MATERIAL: UPVC
STANDARD: DIN
COLOUR: Gray
CONNECTION: Socket



Unit:mm

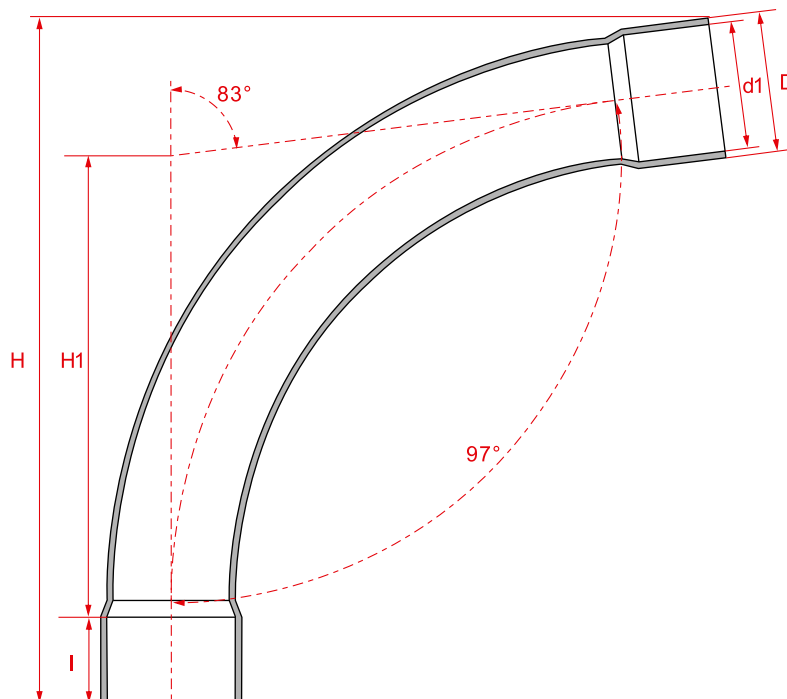
NOMINAL SIZE		STRUCTURE SIZE				PRESSURE	APPROX. WT.	PRODUCT CODE
DN	d1	D	I	H	H1	PN	g	Gray
DN50	63	69.9	43	290	110	10	280.5	215UD10G-63



4D Radius Bocht 83°

SIZE: DN50

MATERIAL: UPVC
STANDARD: DIN
COLOUR: Gray
CONNECTION: Socket



Unit:mm

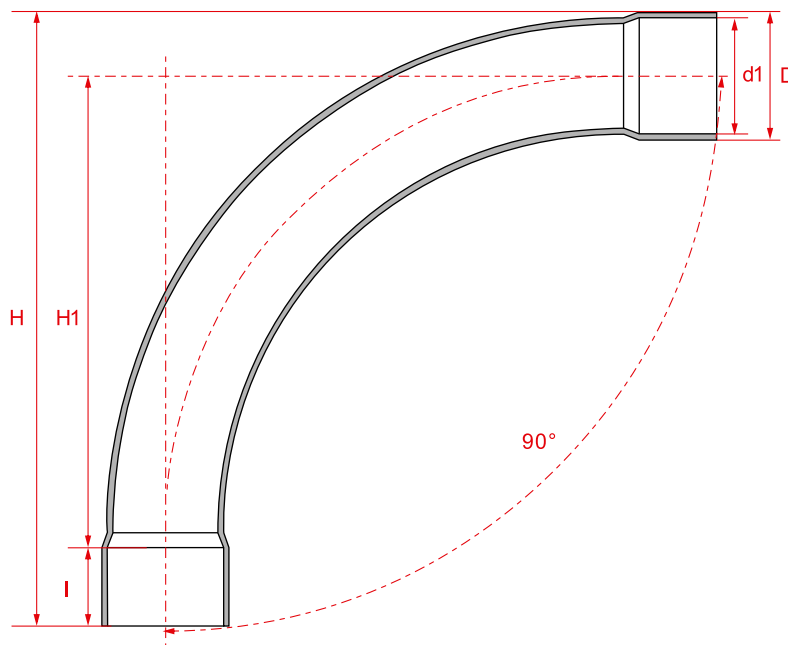
NOMINAL SIZE	STRUCTURE SIZE					PRESSURE	APPROX. WT.	PRODUCT CODE
DN	d1	D	I	H	H1	PN	g	Gray
DN50	63	69.9	43	370	227	10	287	214UD10G-63



4D Radius Bocht 90°

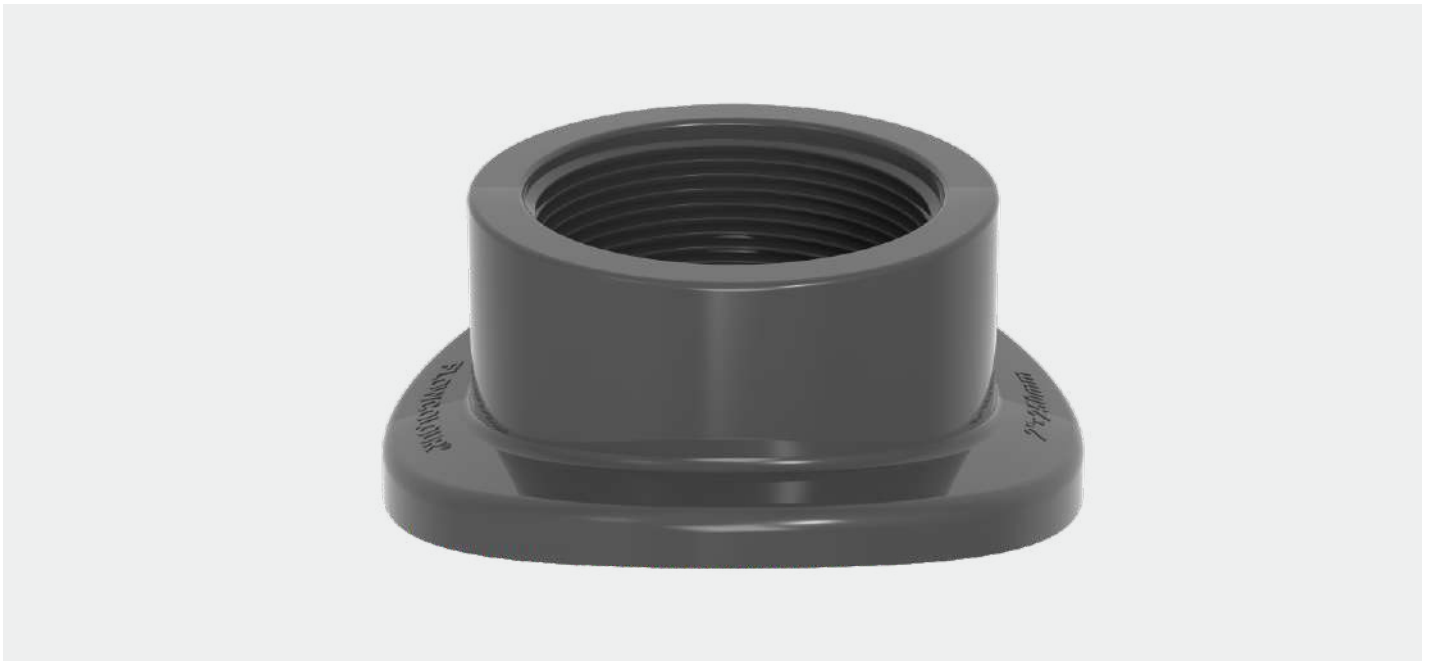
SIZE: DN50

MATERIAL: UPVC
STANDARD: DIN
COLOUR: Gray
CONNECTION: Socket



Unit:mm

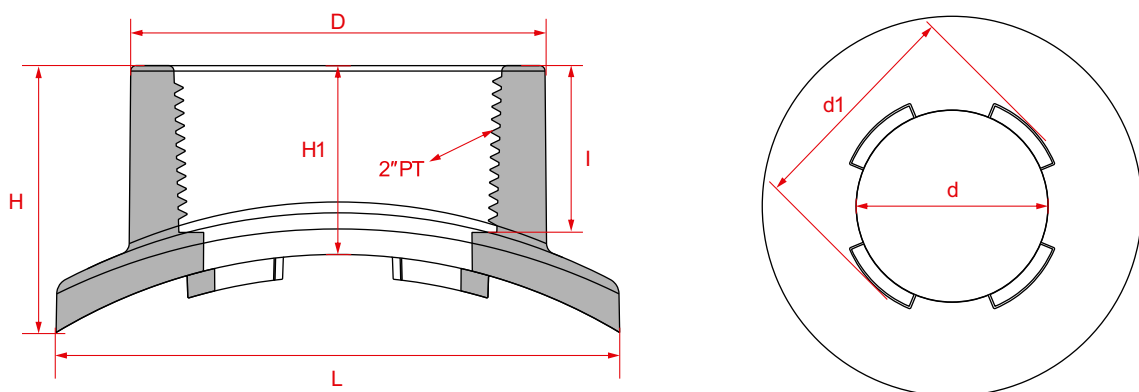
NOMINAL SIZE		STRUCTURE SIZE				PRESSURE	APPROX. WT.	PRODUCT CODE
DN	d1	D	I	H	H1	PN	g	Gray
DN50	63	69.9	43	335	256	10	287	213UD10G-63



Female Thread Saddle

SIZE: 2"x200mm,2"x250mm

MATERIAL: UPVC
STANDARD: DIN, PT
COLOUR: Gray
CONNECTION: Female Thread



Unit:mm

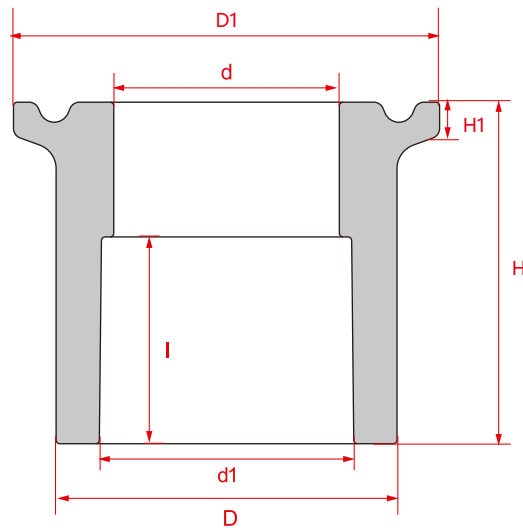
NOMINAL SIZE	STRUCTURE SIZE							PRESSURE	APPROX. WT. g	PRODUCT CODE
	D	d1	d	I	L	H	H1			
2"x200mm	75.72	60	52	30.5	103	48.8	34.5	10	147	221UD10G-200/63P
2"x250mm	75.72	55	49	30.5	103	45.6	35	10	147	221UD10G-250/63P



Tri-Clamp Adapter

SIZE: $\phi 34 \times 20$, $\phi 40 \times 25$, $\phi 50.5 \times 32$,
 $\phi 64 \times 50$, $\phi 77.5 \times 63$, $\phi 91 \times 63$

MATERIAL: **UPVC, CPVC**
STANDARD: **DIN**
COLOUR: **Gray**
CONNECTION: **Socket**



Unit:mm

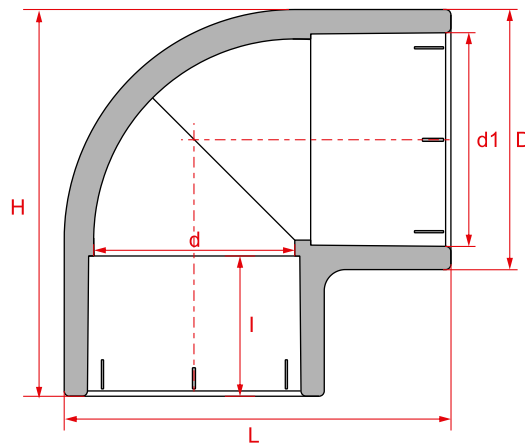
NOMINAL SIZE	STRUCTURE SIZE							PRESSURE	APPROX. WT.	PRODUCT CODE
DN	d1	d	D	D1	I	H	H1	PN	g	DIN Gray
$\phi 34 \times 20$	20	18	27	34	16.5	27.3	2.85	16	12.2	234UD16G-34/20
$\phi 40.1 \times 25$	25	20.5	32	40.1	19	29.3	2.85	16		234UD16G-40.1/25
$\phi 50.5 \times 32$	32	28	40	50.5	22.5	33.3	2.85	16	27.2	234UD16G-50.5/32
$\phi 64 \times 50$	50	44	60.7	64	31.5	45	2.85	16		234UD16G-64/50
$\phi 77.5 \times 63$	63	55	75	77.5	38	54.3	2.85	16		234UD16G-77.5/63
$\phi 91 \times 63$	63	63	75	91	38	53.3	2.85	16	110	234UD16G-91/63



90° Elbow (Clear)

SIZE: DN10~DN50, 1/2"~ 2"

MATERIAL: Clear-PVC
STANDARD: DIN, ANSI Sch40
COLOUR: Clear
CONNECTION: Socket



Unit:mm

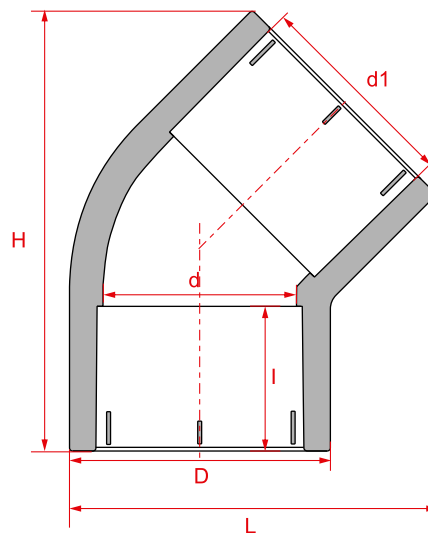
NOMINAL SIZE	STRUCTURE SIZE						PRESSURE	APPROX. WT.	PRODUCT CODE
DN	d1	D	d	I	L	H	PN	g	Clear
DN10	16	22	14	14	35	35	16	18	216UD16T-16
DN15	20	27	19	16.5	42	42	16	24.5	216UD16T-20
DN20	25	33	24	19	50.5	50.5	16	37	216UD16T-25
DN25	32	40.5	30	22.5	61	61	16	58	216UD16T-32
DN32	40	49.1	38	26.5	73	73	16	89	216UD16T-40
DN40	50	61	46	31.5	87.5	87.5	16	151.5	216UD16T-50
DN50	63	75.1	60	38	108	108	16	259	216UD16T-63



45° Elbow (Clear)

SIZE: DN10~DN50, 1/2"~ 2"

MATERIAL: Clear-PVC
STANDARD: DIN, ANSI Sch40
COLOUR: Clear
CONNECTION: Socket



Unit:mm

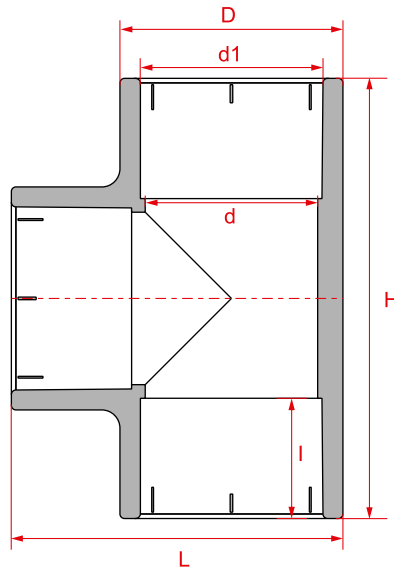
NOMINAL SIZE	STRUCTURE SIZE						PRESSURE	APPROX. WT.	PRODUCT CODE
DN	d1	D	d	I	L	H	PN	g	Clear
DN15	20	27	19	16.5	39.3	48.7	16	17	217UD16T-20
DN20	25	33	24	19	46.7	58	16	29	217UD16T-25
DN25	32	40.5	30	22.5	56.5	68.1	16	44.5	217UD16T-32
DN32	40	49.1	38	26.5	68	81.2	16	83	217UD16T-40
DN40	50	61	46	31.5	82	96	16	121.6	217UD16T-50
DN50	63	75.1	60	38	101	118	16	215	217UD16T-63



Tee (Clear)

SIZE: DN10~DN50, 1/2"~ 2"

MATERIAL: Clear-PVC
STANDARD: DIN, ANSI Sch40
COLOUR: Clear
CONNECTION: Socket



Unit:mm

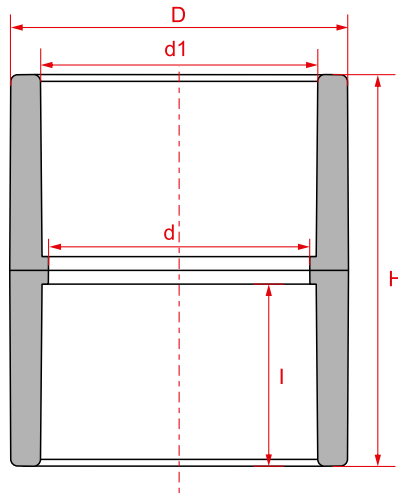
NOMINAL SIZE	STRUCTURE SIZE						PRESSURE	APPROX. WT.	PRODUCT CODE
	DN	d1	D	d	I	L			
DN10	16	22	14	14	35	48	16	15.2	218UD16T-16
DN15	20	27	19	16.5	42	57	16	31.5	218UD16T-20
DN20	25	33	24	19	50.5	68	16	43.5	218UD16T-25
DN25	32	40.5	30	22.5	60.8	81	16	69	218UD16T-32
DN32	40	49.1	38	26.5	73	97	16	111	218UD16T-40
DN40	50	61	46	31.5	87.5	114	16	196	218UD16T-50
DN50	63	75.1	60	38	109	142	16	336	218UD16T-63



Coupling (Clear)

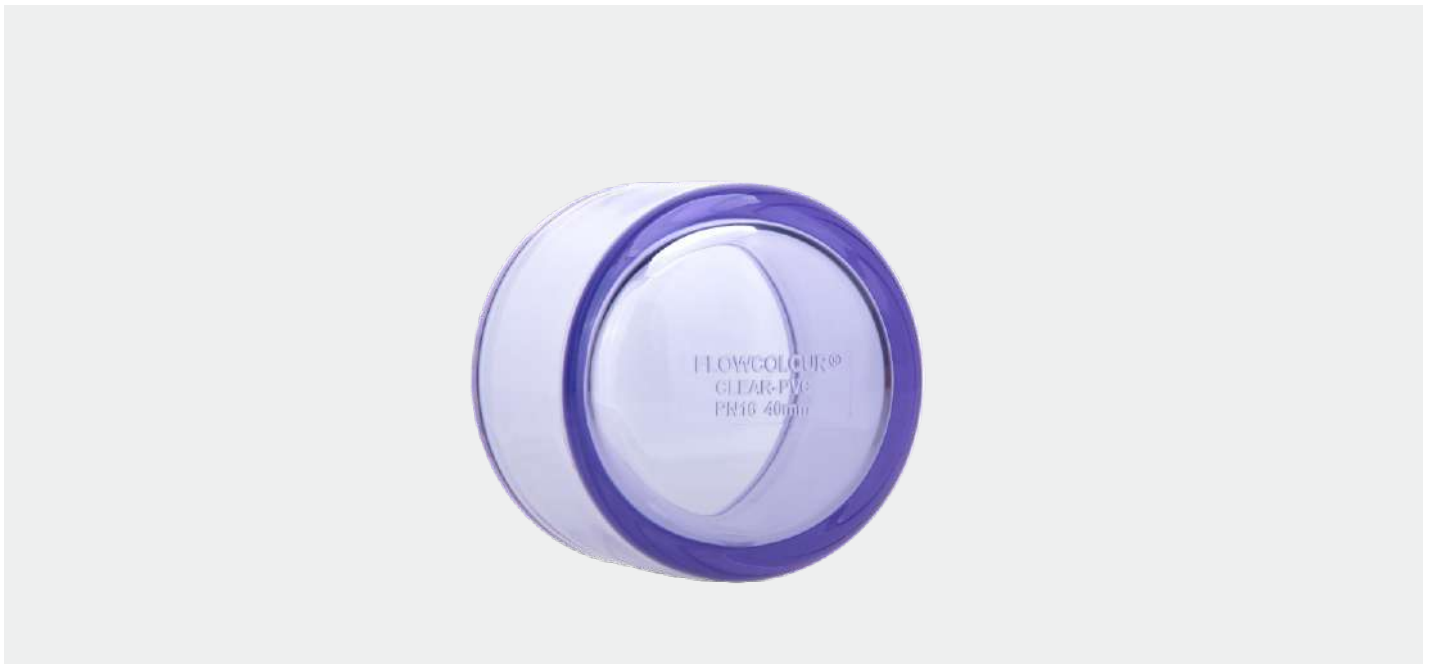
SIZE: DN10~DN50, 1/2"~ 2"

MATERIAL: Clear-PVC
STANDARD: DIN, ANSI Sch40
COLOUR: Clear
CONNECTION: Socket



Unit:mm

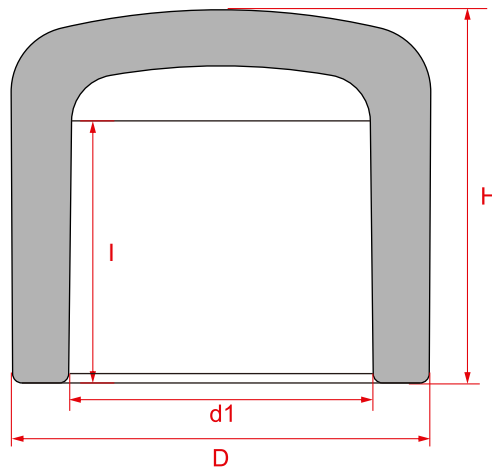
NOMINAL SIZE	STRUCTURE SIZE					PRESSURE	APPROX. WT.	PRODUCT CODE
	DN	d1	D	d	l			
DN10	16	22	14	14	31	16	--	219UD16T-16
DN15	20	27	16	16	35	16	12.4	219UD16T-20
DN20	25	33	21	19	41	16	20.5	219UD16T-25
DN25	32	41	28	22	48	16	34.8	219UD16T-32
DN32	40	49	38	26.5	57	16	49.6	219UD16T-40
DN40	50	61	45.2	31	67	16	88	219UD16T-50
DN50	63	75	57	38	81	16	143.5	219UD16T-63



Cap (Clear)

SIZE: DN10~DN50, 1/2"~ 2"

MATERIAL: Clear-PVC
STANDARD: DIN, ANSI Sch40
COLOUR: Clear
CONNECTION: Socket



Unit:mm

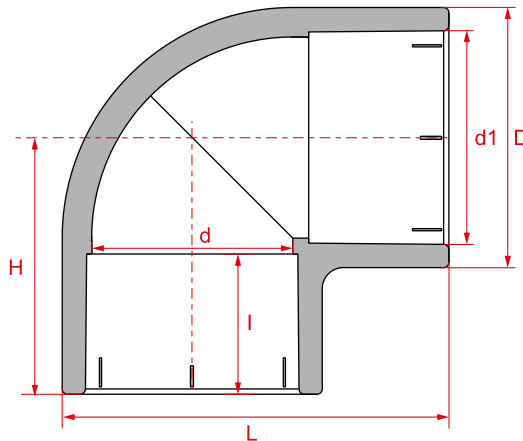
NOMINAL SIZE	STRUCTURE SIZE				PRESSURE	APPROX. WT.	PRODUCT CODE
DN	d1	D	I	H	PN	g	Clear
DN10	16	22.3	14	20	16	--	220UD16T-16
DN15	20	27.3	16	23.1	16	7	220UD16T-20
DN20	25	33.3	19	27.3	16	11.5	220UD16T-25
DN25	32	41.3	22	31.6	16	17.6	220UD16T-32
DN32	40	49.3	26	36.2	16	32.8	220UD16T-40
DN40	50	61.3	31	43.6	16	44.9	220UD16T-50
DN50	63	75.3	38	52.8	16	110.5	220UD16T-63



90° Elbow (ANSI / Clear)

SIZE: DN15~DN50, 1/2"~ 2"

MATERIAL: Clear-PVC
STANDARD: DIN, ANSI Sch40
COLOUR: Clear
CONNECTION: Socket



Unit:mm

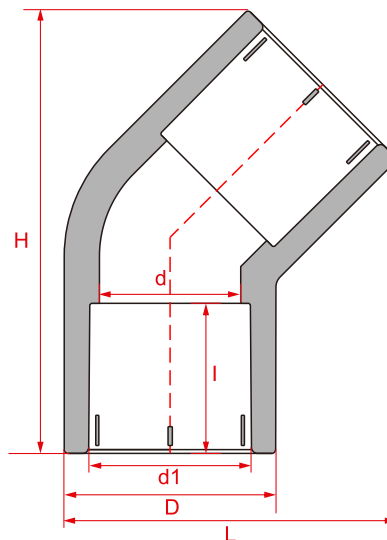
NOMINAL SIZE		STRUCTURE SIZE						PRESSURE	APPROX. WT.	PRODUCT CODE
DN	ANSI	d1	D	d	I	L	H	PN	g	Clear Sch40
DN15	1/2"	21.34	28	18.5	19	45.8	31.8	10	23.6	216UA40T-20
DN20	3/4"	26.67	33.5	22.5	23.5	54.9	38	10	37.7	216UA40T-25
DN25	1"	33.4	41.5	30	25	66	45.2	10	62.5	216UA40T-32
DN32	1-1/4"	42.16	50	38.5	27	79.8	54.8	10	93.2	216UA40T-40
DN40	1-1/2"	48.26	56.5	44.5	30	88.6	60.3	10	121.8	216UA40T-50
DN50	2"	60.33	70	56	33	103.3	68.3	10	201.3	216UA40T-63



45° Elbow (ANSI / Clear)

SIZE: DN15~DN50, 1/2"~ 2"

MATERIAL: Clear-PVC
STANDARD: DIN, ANSI Sch40
COLOUR: Clear
CONNECTION: Socket



Unit:mm

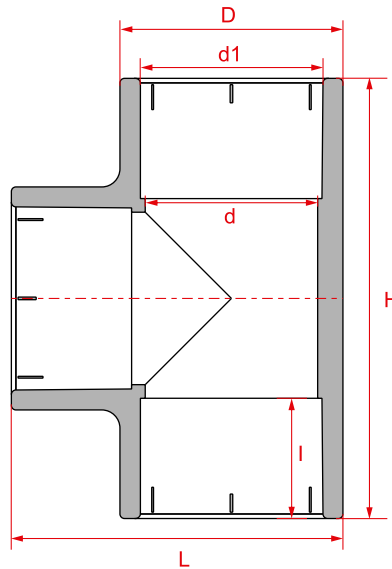
NOMINAL SIZE		STRUCTURE SIZE						PRESSURE	APPROX. WT.	PRODUCT CODE
DN	ANSI	d1	D	d	l	L	H	PN	g	Clear Sch40
DN15	1/2"	21.34	28	18.5	19	44	58.5	10	22.5	217UA40T-20
DN20	3/4"	26.67	33.5	22.5	23.5	53	71.3	10	35.2	217UA40T-25
DN25	1"	33.4	41.5	30	25	62	79.5	10	54.6	217UA40T-32
DN32	1-1/4"	42.16	50	38.5	27	74.3	94.5	10	79.6	217UA40T-40
DN40	1-1/2"	48.26	56.5	44.5	30	82	102	10	101.3	217UA40T-50
DN50	2"	60.33	70	56	33	96.4	113.8	10	158.6	217UA40T-63



Tee (ANSI / Clear)

SIZE: DN15~DN50, 1/2"~ 2"

MATERIAL: Clear-PVC
STANDARD: DIN, ANSI Sch40
COLOUR: Clear
CONNECTION: Socket



Unit:mm

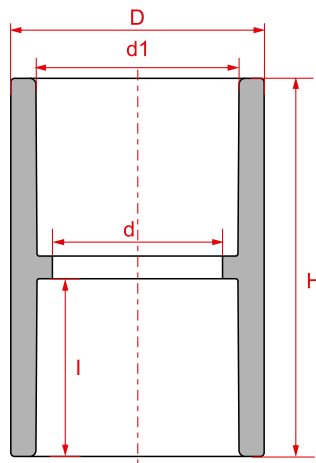
NOMINAL SIZE		STRUCTURE SIZE						PRESSURE	APPROX. WT.	PRODUCT CODE
DN	ANSI	d1	D	d	I	L	H	PN	g	Clear Sch40
DN15	1/2"	21.34	28	18.5	19	45.8	63.5	10	31.4	218UA40T-20
DN20	3/4"	26.67	33.5	22.5	23.5	56.5	79.4	10	50.8	218UA40T-25
DN25	1"	33.4	41.5	30	25	65.2	89	10	80	218UA40T-32
DN32	1-1/4"	42.16	50	38.5	27	79	108	10	118.5	218UA40T-40
DN40	1-1/2"	48.26	56.5	44.5	30	88.6	120.7	10	159	218UA40T-50
DN50	2"	60.33	70	56	33	104.9	139.7	10	263.6	218UA40T-63



Coupling (ANSI / Clear)

SIZE: DN15~DN50, 1/2"~ 2"

MATERIAL: Clear-PVC
STANDARD: DIN, ANSI Sch40
COLOUR: Clear
CONNECTION: Socket



Unit:mm

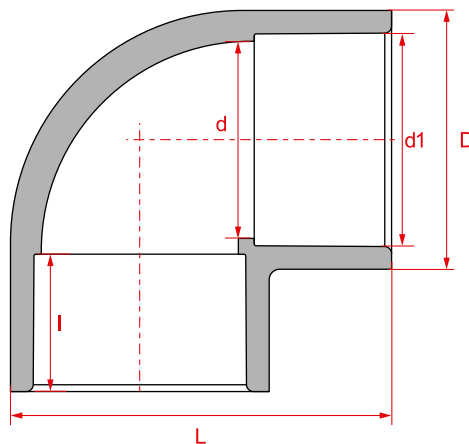
NOMINAL SIZE		STRUCTURE SIZE					PRESSURE	APPROX. WT.	PRODUCT CODE
DN	ANSI	d1	D	d	l	H	PN	g	Clear Sch40
DN15	1/2"	21.34	28	18.5	19	41	10	15	219UA40T-20
DN20	3/4"	26.67	33.5	22.5	23.5	50	10	22.8	219UA40T-25
DN25	1"	33.4	41.5	30	25	53	10	34.8	219UA40T-32
DN32	1-1/4"	42.16	50	38.5	27	59	10	46.7	219UA40T-40
DN40	1-1/2"	48.26	56.5	44.5	30	65	10	61.7	219UA40T-50
DN50	2"	60.33	70	56	33	73	10	101.5	219UA40T-63



90° Elbow (PMMA)

SIZE: DN15~DN40

MATERIAL: PMMA
STANDARD: DIN
COLOUR: Transparent
CONNECTION: Socket



Unit:mm

NOMINAL SIZE	STRUCTURE SIZE					PRESSURE	APPROX. WT.	PRODUCT CODE
DN	d1	D	d	I	L	PN	g	PMMA
DN15	20	25.9	19	16.5	41.4	10	14	602PMAD10T-20
DN20	25	31.7	24	19	49.9	10	29	602PMAD10T-25
DN25	32	39.5	30	22.5	60.3	10	40	602PMAD10T-32
DN32	40	48.3	38.5	26	71.1	10	68	602PMAD10T-40
DN40	50	59.4	48	31	86.7	10	120	602PMAD10T-50



45° Elbow (PMMA)

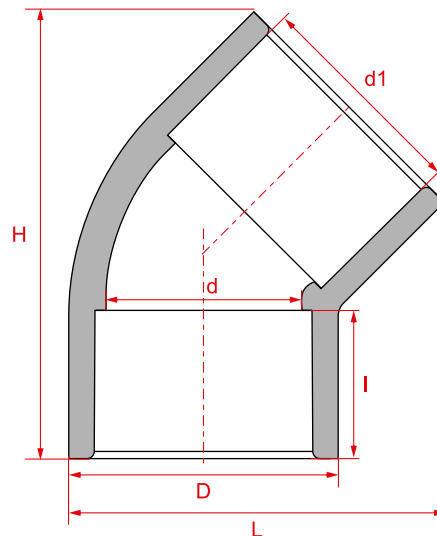
SIZE: DN15~DN25

MATERIAL: PMMA

STANDARD: DIN

COLOUR: Transparent

CONNECTION: Socket



Unit:mm

NOMINAL SIZE	STRUCTURE SIZE						PRESSURE	APPROX. WT.	PRODUCT CODE
DN	d1	D	d	I	L	H	PN	g	PMMA
DN15	20	25.9	19	16.5	38.2	48.1	10	13	603PMAD10T-20
DN20	25	31.7	24	19	45.9	57	10	20	603PMAD10T-25
DN25	32	39.5	30	22.5	56	67.9	10	34	603PMAD10T-32



Tee (PMMA)

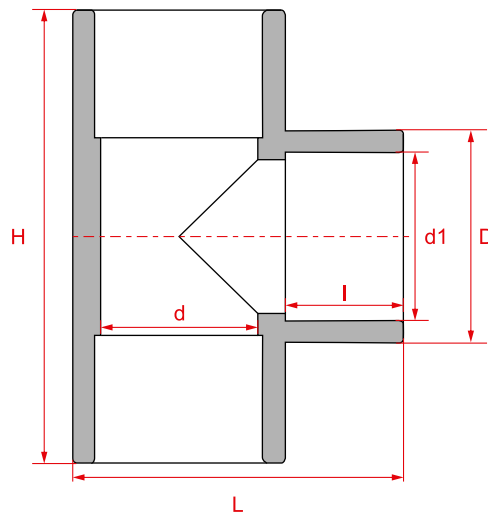
SIZE: DN15~DN40

MATERIAL: PMMA

STANDARD: DIN

COLOUR: Transparent

CONNECTION: Socket



Unit:mm

NOMINAL SIZE	STRUCTURE SIZE						PRESSURE	APPROX. WT.	PRODUCT CODE
DN	d1	D	d	l	L	H	PN	g	PMMA
DN15	20	25.9	19	16.5	41.4	57	10	20	604PMAD10T-20
DN20	25	31.7	24	19	49.8	68	10	33	604PMAD10T-25
DN25	32	39.5	30	22.5	60.2	81	10	55	604PMAD10T-32
DN32	40	48.3	38.5	26	71.1	94	10	82	604PMAD10T-40
DN40	50	59.4	48	31	86.7	114	10	150	604PMAD10T-50



Coupling (PMMA)

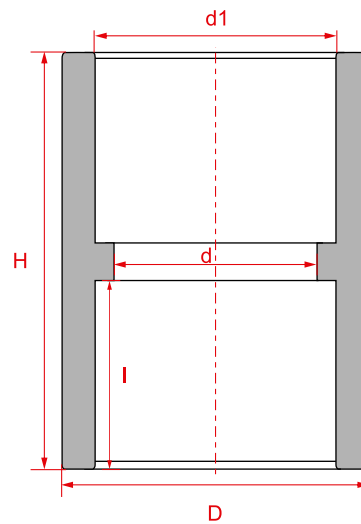
SIZE: DN15~DN40

MATERIAL: **PMMA**

STANDARD: **DIN**

COLOUR: **Transparent**

CONNECTION: **Socket**



Unit:mm

NOMINAL SIZE	STRUCTURE SIZE					PRESSURE	APPROX. WT.	PRODUCT CODE
DN	d1	D	d	l	H	PN	g	PMMA
DN15	20	25.9	19	16.5	35	10	10	605PMAD10T-20
DN20	25	31.7	24	19	40.5	10	15	605PMAD10T-25
DN25	32	39.5	30	22.5	47.5	10	24	605PMAD10T-32
DN32	40	48.3	38.5	26	55	10	42	605PMAD10T-40
DN40	50	59.4	48	31	65	10	66	605PMAD10T-50



Cap (PMMA)

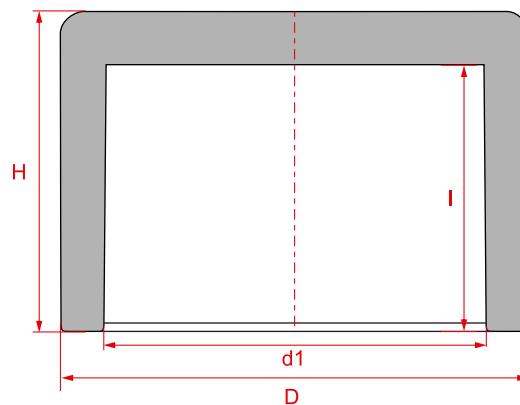
SIZE: DN15~DN25

MATERIAL: **PMMA**

STANDARD: **DIN**

COLOUR: **Transparent**

CONNECTION: **Socket**



Unit:mm

NOMINAL SIZE	STRUCTURE SIZE				PRESSURE	APPROX. WT.	PRODUCT CODE
DN	d1	D	I	H	PN	g	PMMA
DN15	20	25.9	16.5	19.7	10	7	606PMAD10T-20
DN20	25	31.7	19	22.5	10	11	606PMAD10T-25
DN25	32	39.5	22.5	27	10	18	606PMAD10T-32



Male Adapter (PMMA)

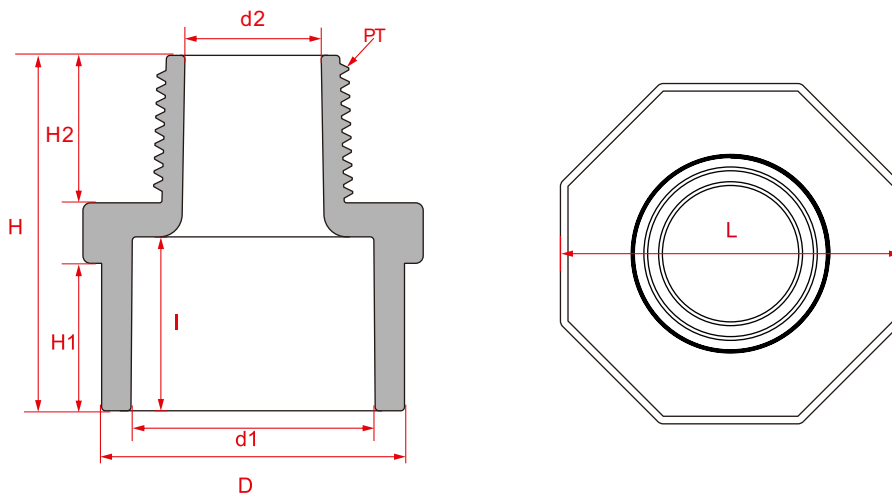
SIZE: 20mm*3/4", 32mm*3/4", 50mm*1-1/2"

MATERIAL: PMMA

STANDARD: DIN, PT

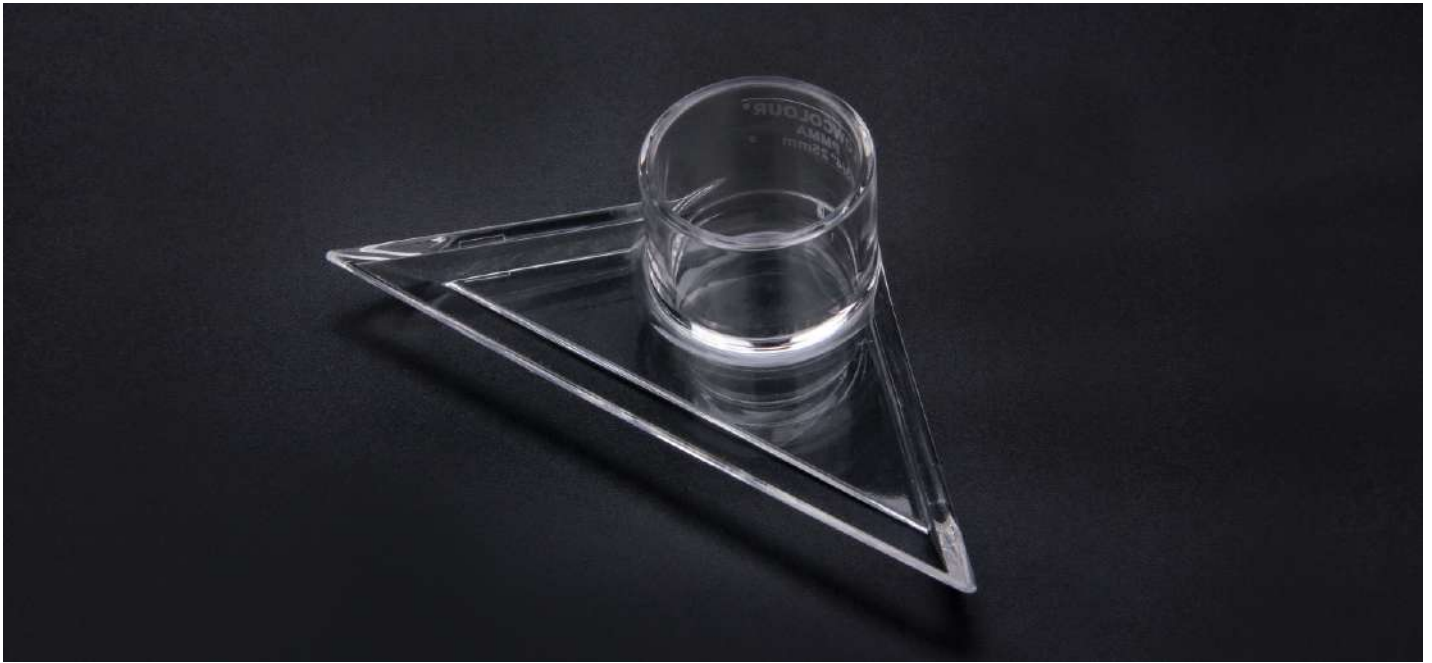
COLOUR: Transparent

CONNECTION: Socket+Male Thread



Unit:mm

NOMINAL SIZE	STRUCTURE SIZE									PRESSURE	APPROX. WT.	PRODUCT CODE
d1*PT	d1	D	d2	I	L	H	H1	H2	PT	PN	g	PMMA
20mm*3/4"	20	25	18	16.5	30	46.5	19	19.5	3/4"	16	13.6	224PMAD16T-25P/20
32mm*3/4"	32	40	18	22.5	45	47	19.5	19.5	3/4"	16	26.4	224PMAD16T-25P/32
50mm*1-1/2"	50	63	37.2	32.5	64	63	29	24	1-1/2"	16	75.9	224PMAD16T-50P/50



Triangular Sweeper (PMMA)

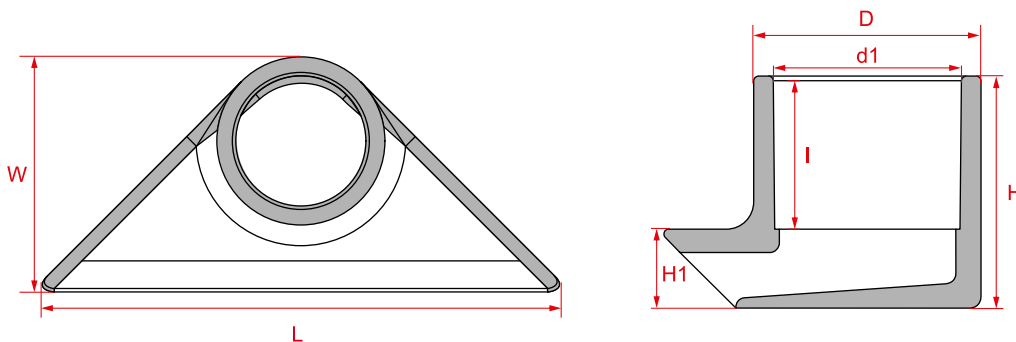
SIZE: DN15~DN25

MATERIAL: PMMA

STANDARD: DIN

COLOUR: Transparent

CONNECTION: Socket



Unit:mm

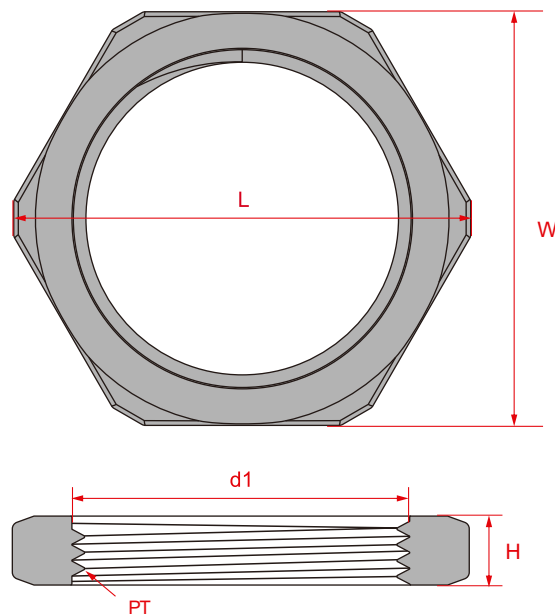
NOMINAL SIZE	STRUCTURE SIZE							APPROX. WT.	PRODUCT CODE
DN	d1	D	I	L	W	H	H1	g	PMMA
DN15	20	24.5	16.5	75.2	34.2	25	8.5	10.2	601PMAD00T-20
DN20	25	29.5	19	97.8	44.6	29	10	15.4	601PMAD00T-25
DN25	32	37	22.5	121	54.8	34.5	12	28.1	601PMAD00T-32



Nut (PC)

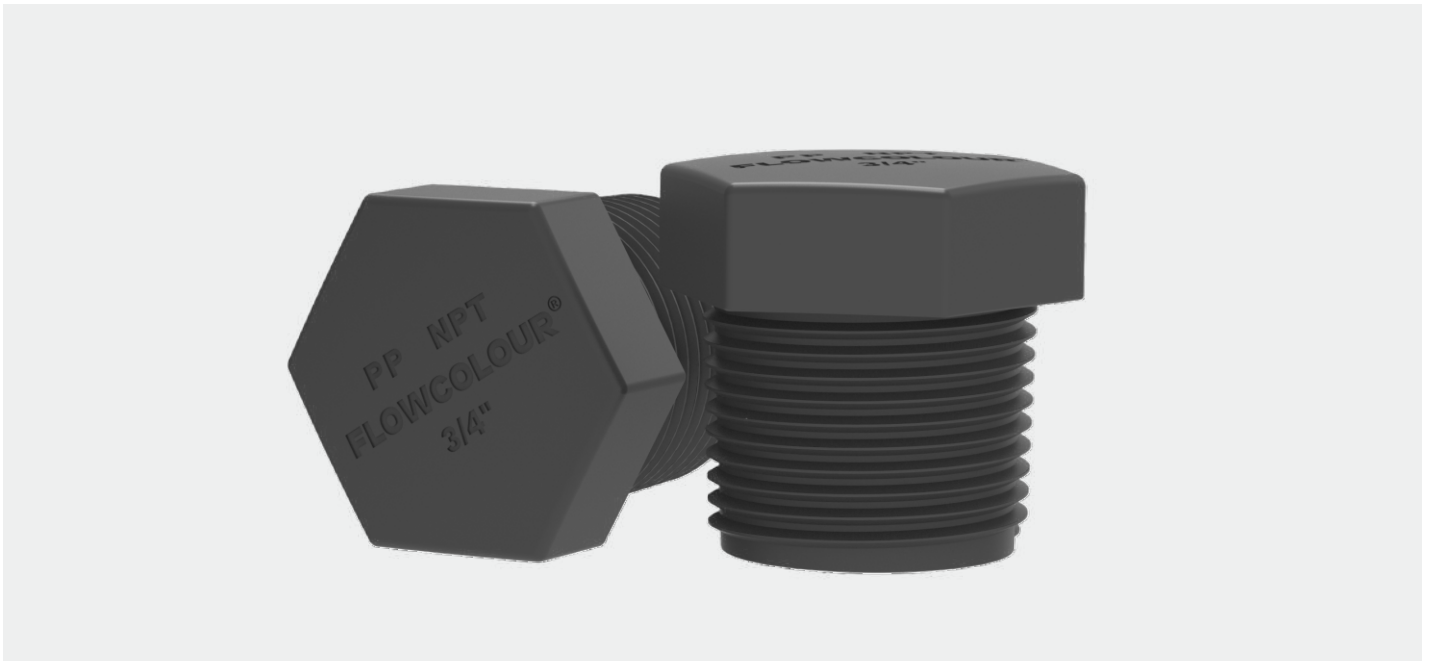
SIZE: 3/4", 1-1/2"

MATERIAL: PC
STANDARD: DIN, PT
COLOUR: Transparent
CONNECTION: Thread



Unit:mm

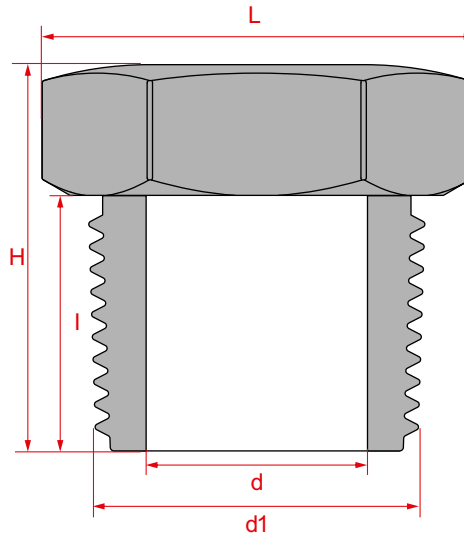
NOMINAL SIZE	STRUCTURE SIZE					APPROX. WT. g	PRODUCT CODE PC
	d1	L	H	W	Thread		
3/4"	26.6	36	7	33	3/4"	3.4	618PCD00T-25
1-1/2"	49	66.3	10	60	1-1/2"	16.5	618PCD00T-50



Male Cap

SIZE: DN15~DN25, 1/2"~1"

MATERIAL: PP
STANDARD: PT, NPT
COLOUR: Gray
CONNECTION: Male Thread



Unit:mm

NOMINAL SIZE	STRUCTURE SIZE						PRESSURE	APPROX. WT.	PRODUCT CODE
DN	d1	d	I	L	H	Thread	PN	g	PP
DN15	1/2"	13	18.5	28.7	29	PT	10	7	206PD10G-20P
DN20	3/4"	18	20.5	34.5	31	PT	10	10	206PD10G-25P
DN25	1"	23	22.5	42.2	33	PT	10	16	206PD10G-32P



Gate Valve

SIZE: DN15~DN50, 1/2"~2"

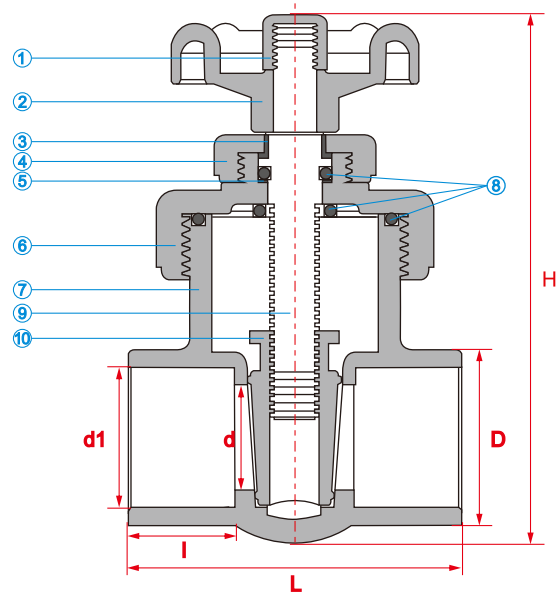
MATERIAL: **UPVC+PP**

STANDARD: **DIN, ANSI**

COLOUR: **Gray, White**

CONNECTION: **Socket, Thread**

PRODUCT STRUCTURE			
Number	Name	Quantity	Material
①	Stem nut	1	UPVC
②	Hand wheel	1	PP
③ ⑤	Gasket	2	POM
④	Small nut	1	UPVC
⑥	Big nut	1	UPVC
⑦	Body	1	UPVC
⑧	O-Ring	3	EPDM/VITON
⑨	Stem	1	UPVC
⑩	Disc	1	PP/PVDF



Unit:mm

NOMINAL SIZE		d1		STRUCTURE SIZE				PRESSURE	APPROX. WT.	PRODUCT CODE	
DN	ANSI	DIN	ANSI	D	d	I	L	H	PN	g	DIN Gray
DN15	1/2"	20	21.34	30	15	20	72	126	16	255	301UD16G-20E
DN20	3/4"	25	26.67	37	20	22	72	126	16	250	301UD16G-25E
DN25	1"	32	33.4	44	25	29	94	159.5	16	440	301UD16G-32E
DN32	1-1/4"	40	42.16	53	32	33	100	159.5	16	473	301UD16G-40E
DN40	1-1/2"	50	48.26	62	40	35	114	197	16	640	301UD16G-50E
DN50	2"	63	60.33	76	50	38	120	217	16	911	301UD16G-63E



Compact Ball Valve

SIZE: DN15~DN40

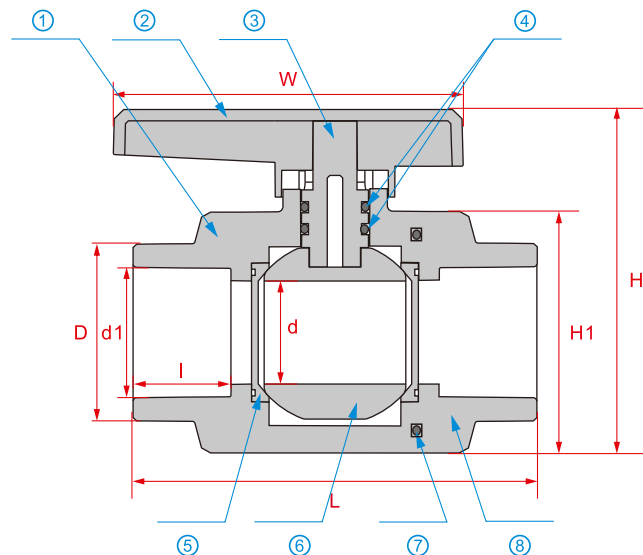
MATERIAL: **UPVC, ABS**

STANDARD: **DIN**

COLOUR: **Gray, White**

CONNECTION: **Socket, Thread**

PRODUCT STRUCTURE			
Number	Name	Quantity	Material
①	Body	1	UPVC
②	Handle	1	ABS
③	Stem	1	UPVC
④	Stem O-ring	2	UPVC
⑤	Antidiarrheal Ring	2	TPV
⑥	Ball	1	UPVC
⑦	O-ring	1	EPDM
⑧	Pipe Joints	1	UPVC



Unit:mm

NOMINAL SIZE	STRUCTURE SIZE								OPERATING TORQUE	PRESSURE	APPROX. WT.	PRODUCT CODE
DN	d1	D	d	l	L	H	H1	W	(N·M)	PN	g	DIN Gray
DN15	20	28	15	16.2	67.5	56.5	39	60	2	10		308UD10G-20E
DN20	25	34	20	18.7	78.5	66.8	47	68	2.5	10		308UD10G-25E
DN25	32	42.7	25	22.2	90	80	55	78.5	4	10		308UD10G-32E
DN32	40	53	30	26	104.5	94	65	100	8	10		308UD10G-40E
DN40	50	64.4	38.3	31.2	124.4	117	77	118	15	10		308UD10G-50E



True Union Ball Valve

SIZE: DN15~DN40, 1/2"~1-1/2"

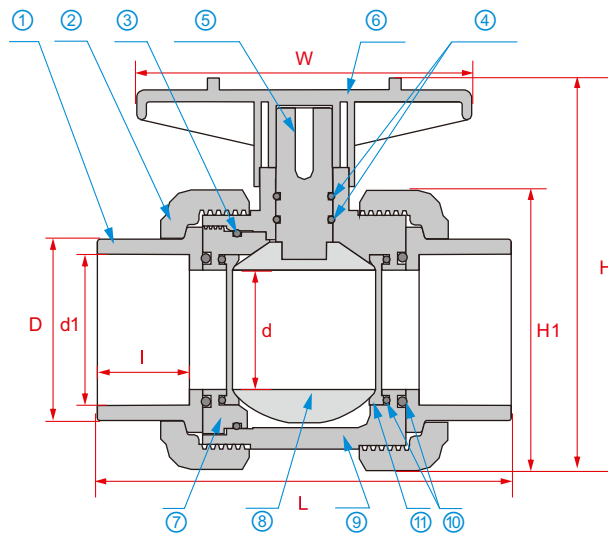
MATERIAL: UPVC+ABS, CPVC+ABS

STANDARD: DIN, ANSI

COLOUR: Gray, White

CONNECTION: Socket, Thread

PRODUCT STRUCTURE			
Number	Name	Quantity	Material
①	Flat socket	2	UPVC
②	Nut	2	UPVC
③	Stem	1	UPVC
⑥	Handle	1	ABS
⑦	Lining	2	UPVC
⑧	Ball	1	UPVC
③ ④ ⑩	O-Ring	7	EPDM/VITON
⑨	Body	1	UPVC
⑪	Antidiarrheal Ring	7	PTFE



Unit:mm

NOMINAL SIZE	STRUCTURE SIZE								OPERATING TORQUE	PRESSURE	APPROX. WT.	PRODUCT CODE
DN	d1	D	d	l	L	H	H1	W	(N·M)	PN	g	DIN Gray
DN15	20	30	15	23	106.6	78.8	54	85	2	10	199	312UD10G-20E
DN20	25	35	20	26	115.6	94	65	90	2.5	10	268	312UD10G-25E
DN25	32	43	25	29	129.5	104.5	73.5	107	4	10	415	312UD10G-32E
DN32	40	53	32	32.5	144	124	86.5	117	8	10	594	312UD10G-40E
DN40	50	62	40	35.5	159.6	143	100	129	15	10	849	312UD10G-50E



Swing Check Valve

SIZE: DN15~DN25, 1/2"~ 1"

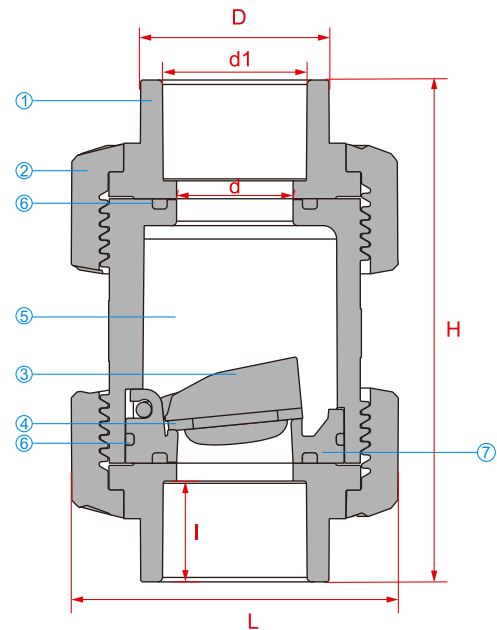
MATERIAL: UPVC, CPVC, Clear-PVC

STANDARD: DIN, ANSI

COLOUR: Gray+Clear, White+Clear, Gray, White

CONNECTION: Socket

CONSTRUCTION			
ITEM	PART	QTY	MATERIAL
1	Adapter	2	UPVC
2	Nut	2	UPVC
3	Swing	1	UPVC
4	Gasket	1	EPDM
5	Body	1	UPVC
6	O-ring	3	EPDM
7	Seat	1	UPVC



Unit:mm

NOMINAL SIZE		d1		STRUCTURE SIZE				PRESSURE	APPROX. WT.	PRODUCT CODE	
DN	ANSI	DIN	ANSI	D	d	I	L	H	PN	g	Gray+Clear
DN15	1/2"	20	21.34	27	15	16.5	51	82	10	139	303UD10GT-20E
DN20	3/4"	25	26.67	34	20	19	59	96	10	245	303UD10GT-25E
DN25	1"	32	33.4	42	26	22.5	73	112	10	400	303UD10GT-32E



Spring Check Valve

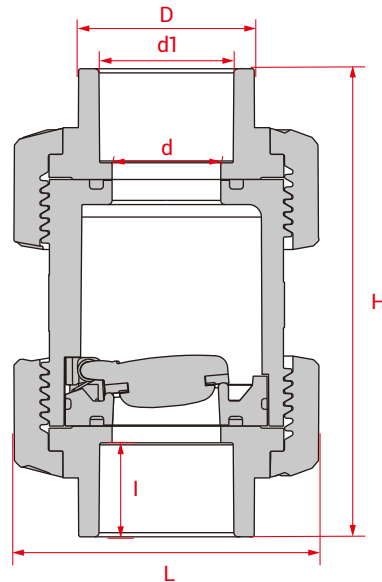
SIZE: DN15~DN25, 1/2"~ 1"

MATERIAL: UPVC, CPVC, Clear-PVC

STANDARD: DIN, ANSI

COLOUR: Gray+Clear, White+Clear, Gray, White

CONNECTION: Socket



Unit:mm

NOMINAL SIZE		d1		STRUCTURE SIZE					PRESSURE	APPROX. WT.	PRODUCT CODE
DN	ANSI	DIN	ANSI	D	d	I	L	H	PN	g	Gray+Clear
DN15	1/2"	20	21.34	27	15	16.5	51	82	10	137.8	304UD10GT-20E
DN20	3/4"	25	26.67	34	20	19	59	96	10	194.7	304UD10GT-25E
DN25	1"	32	33.4	42	26	22.5	73	112	10	323.4	304UD10GT-30E



Lifting Check Valve

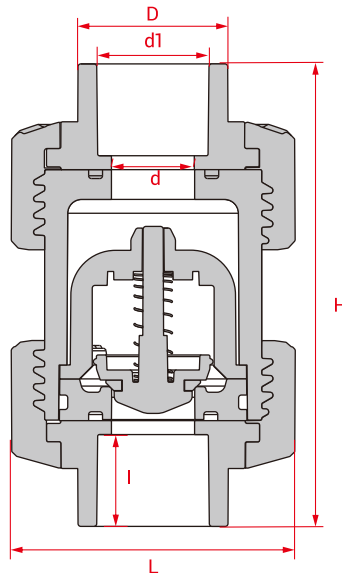
SIZE: DN15~DN25, 1/2"~1"

MATERIAL: UPVC, CPVC, Clear-PVC

STANDARD: DIN, ANSI

COLOUR: Gray+Clear, White+Clear, Gray, White

CONNECTION: Socket



Unit:mm

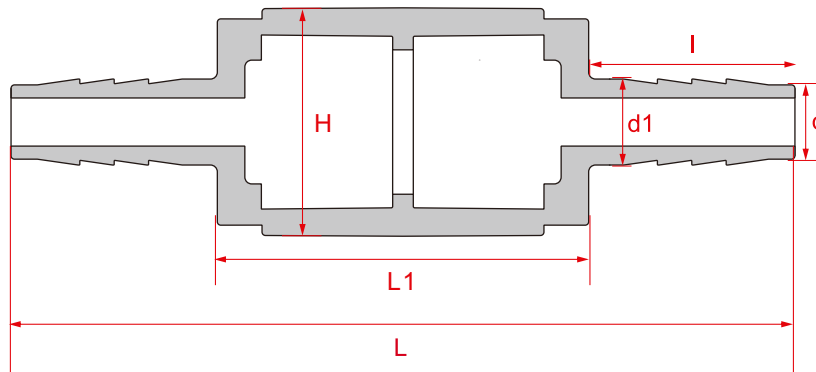
NOMINAL SIZE		d1		STRUCTURE SIZE					PRESSURE	APPROX. WT.	PRODUCT CODE
DN	ANSI	DIN	ANSI	D	d	I	L	H	PN	g	Gray+Clear
DN15	1/2"	20	21.34	27	15	16.5	51	82	10	140	313UD10GT-20E
DN20	3/4"	25	26.67	34	20	19	59	96	10	203	313UD10GT-25E
DN25	1"	32	33.4	42	26	22.5	73	112	10	330	313UD10GT-32E



Hose Check Valve

SIZE: 12.5mm,16.5mm,21mm,26mm

MATERIAL: **UPVC**
STANDARD: **DIN**
COLOUR: **Gray**
CONNECTION: **Spigot**



Unit:mm

NOMINAL SIZE		STRUCTURE SIZE				PRESSURE	APPROX. WT.	PRODUCT CODE
d1	d	l	L	L1	H	PN	g	DIN Gray
12.5mm	10.8	30	114	54	33	10	51.8	306UD10G-12.5
16.5mm	14.8	30	114	54	33	10	54	306UD10G-16.5
21mm	19.3	30	122	62	41	10	94	306UD10G-21
26mm	24.3	35	132	62	41	10	101.7	306UD10G-26



Angle Valve

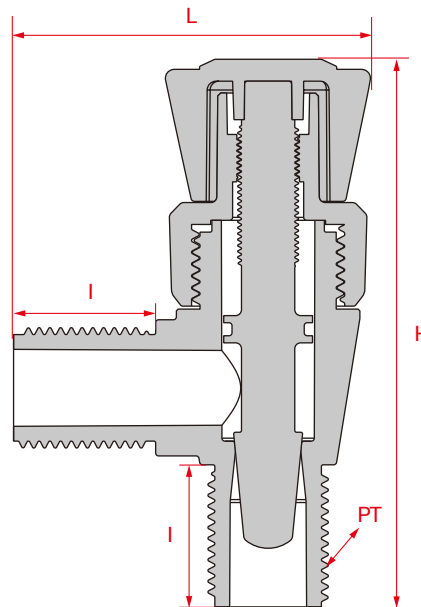
SIZE: 1/2", 3/4"

MATERIAL: **UPVC**

STANDARD: **DIN, PT**

COLOUR: **Gray+Orange**

CONNECTION: **Thread**



Unit:mm

NOMINAL SIZE	STRUCTURE SIZE				PRESSURE	APPROX. WT.	PRODUCT CODE
DN	I	L	H	PT	PN	g	PT Gray
1/2"	24	60.3	92.5	1/2"	10	60.6	305UD10G-20EG
3/4"	24	64.8	107	3/4"	10		305UD10G-25EG



Male Sampling Valve

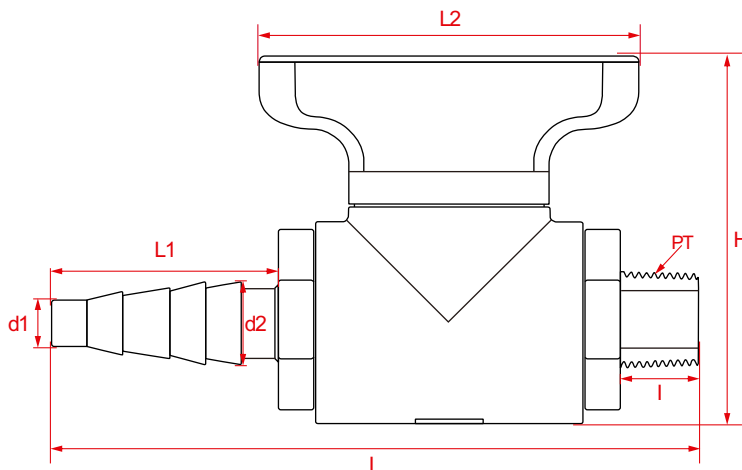
SIZE: 8mm*1/4", 8mm*3/8", 8mm*1/2"

MATERIAL: UPVC, ABS

STANDARD: DIN, PT

COLOUR: Gray

CONNECTION: Socket+Male Thread



Unit:mm

NOMINAL SIZE	STRUCTURE SIZE							PRESSURE	APPROX. WT.	PRODUCT CODE
THREAD PT	d1	d2	I	L	L1	L2	H	PN	g	PT Gray
8mm*1/4"	8	14	11	109.2	38	64.2	63.5	10	73.3	302UD10G-8EP8
8mm*3/8"	8	14	13.6	111.5	37.5	64.2	63.5	10	74	302UD10G-10EP8
8mm*1/2"	8	14	17	115.3	38	64.2	63.5	10	75.4	302UD10G-20EP8



Socket/Spigot Sampling Valve

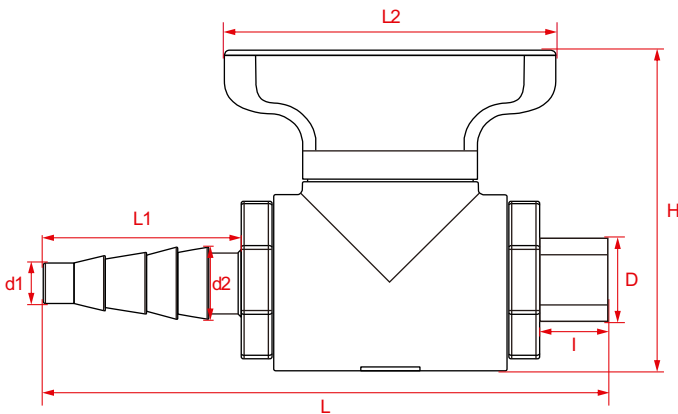
SIZE: 8mmx20mm

MATERIAL: UPVC, ABS

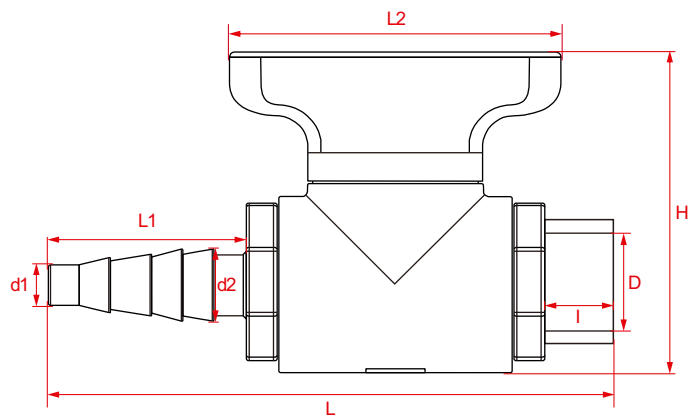
STANDARD: DIN

COLOUR: Gray

CONNECTION: Socket, Spigot



Pic.1



Pic.2

Unit:mm

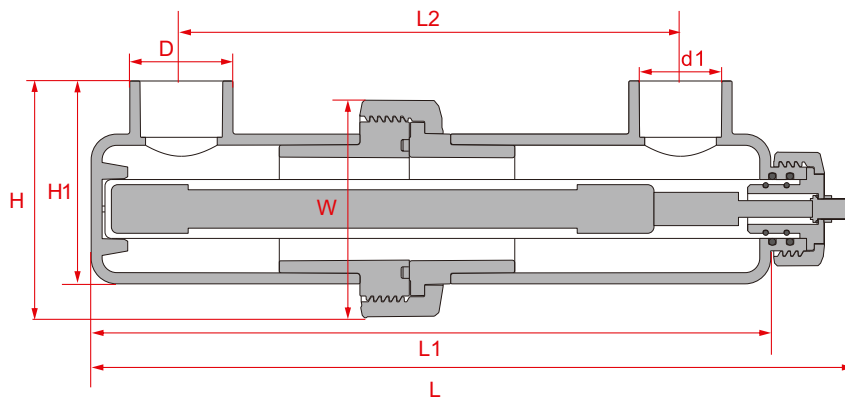
NOMINAL SIZE	STRUCTURE SIZE									PRESSURE	APPROX. WT.	PRODUCT CODE
d1*D	d1	d2	D	I	L	L1	L2	H	RD	PN	g	Gray
8mm*20mm(spigot)	8	14	20	19.5	118	38	64.2	63.5	Pic.1	10	83.4	302UD10G-20E8SPG
8mm*20mm(socket)	8	14	20	22.5	121	38	64.2	63.5	Pic.2	10	76.8	302UD10G-20E8



UV Sterilizer (Aegis Mini)

SIZE: DN25

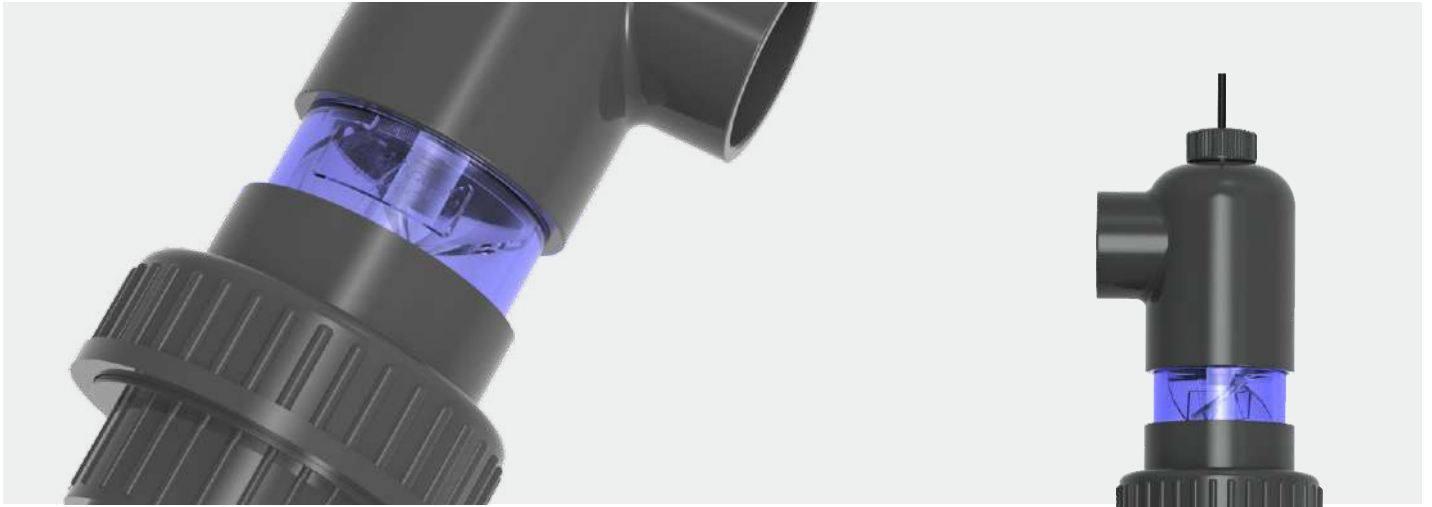
- MATERIAL: **UPVC, ASA**
- STANDARD: **DIN**
- COLOUR: **Gray**
- CONNECTION: **Socket**
- POWER: **10W, 15W, 20W**



TECHNICAL PARAMETER				WATTS	SEAWATER	FRESHWATER
Product Dimensions :	298*85*93mm	Inlet/Outlet Connection :	DN25	10W	< 250L 100-300L/h	< 500L 100-500L/h
Rated Voltage :	220V-240V 50/60Hz	Estimated Lamp Lifetime :	≥5000Hours	15W	< 350L 200-600L/h	< 750L 300-800L/h
Wire Length :	≥1.5m	Ingress Protection :	IP68 (body)	20W	< 500L 300-800L/h	< 1000L 400-1000L/h
UV Intensity :	≥24µw/cm ² (10W) / ≥50µw/cm ² (15W) / ≥61µw/cm ² (20W)					

Unit:mm

NOMINAL SIZE	STRUCTURE SIZE									PRESSURE	APPROX. WT.	PRODUCT CODE
DN	d1	D	I	L	L1	L2	H	H1	W	PN	g	20W
DN25	32	40.3	22	298	265.5	195	93	79	85	10	1050	402UD10G-32E20W

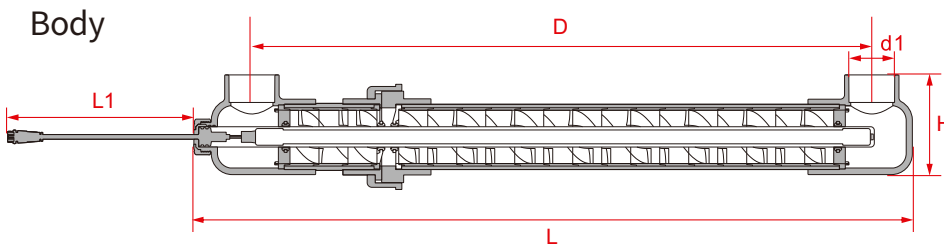


UV Sterilizer (PRO)

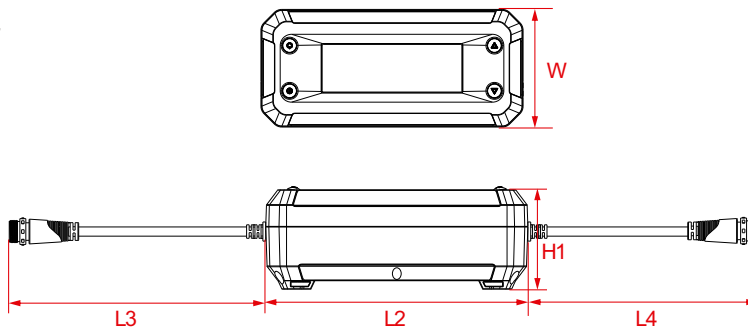
SIZE: DN50

MATERIAL: **UPVC, PC**
 STANDARD: **DIN**
 COLOUR: **Gray**
 CONNECTION: **Socket**
 POWER: **80W**

Technical Parameters			
Product Size:	1030*180*150mm	Connection Size:	DN50
Voltage:	220V-240V 50/60Hz	Maximum Flow:	50000L/h
Wattage:	80W	Maximum Pressure:	PN10
Cord Length:	3.5 Meters	Product Material:	UPVC, PC
Lamp Lifespan:	8000 Hours	Connection Method:	Socket



Controller



Unit:mm

NOMINAL SIZE	STRUCTURE SIZE										PRESSURE	APPROX. WT.	PRODUCT CODE
	d1	D	L	H	W	H1	L1	L2	L3	L4			
DN50	63	855	991	137.5	83	70	1800	183.8	200	200	10	9100	401UD10G-80W



Union Static Mixer

SIZE: DN15~DN80, 1/2"~ 3"

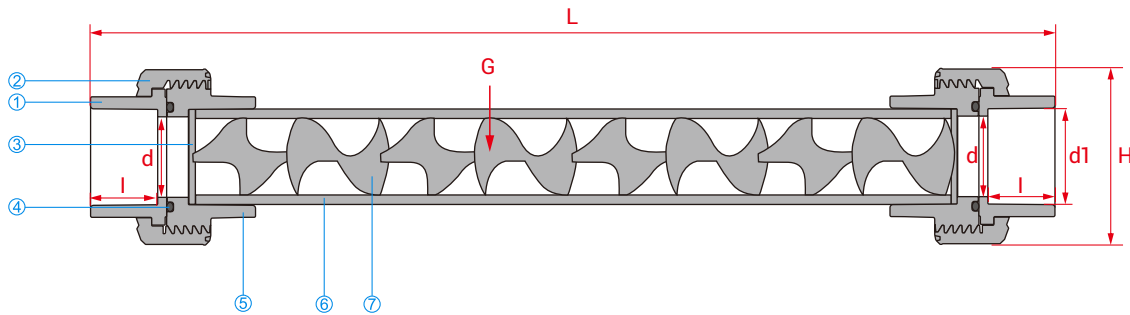
MATERIAL: **UPVC**

STANDARD: **DIN, ANSI**

COLOUR: **Gray, Gray+Clear**

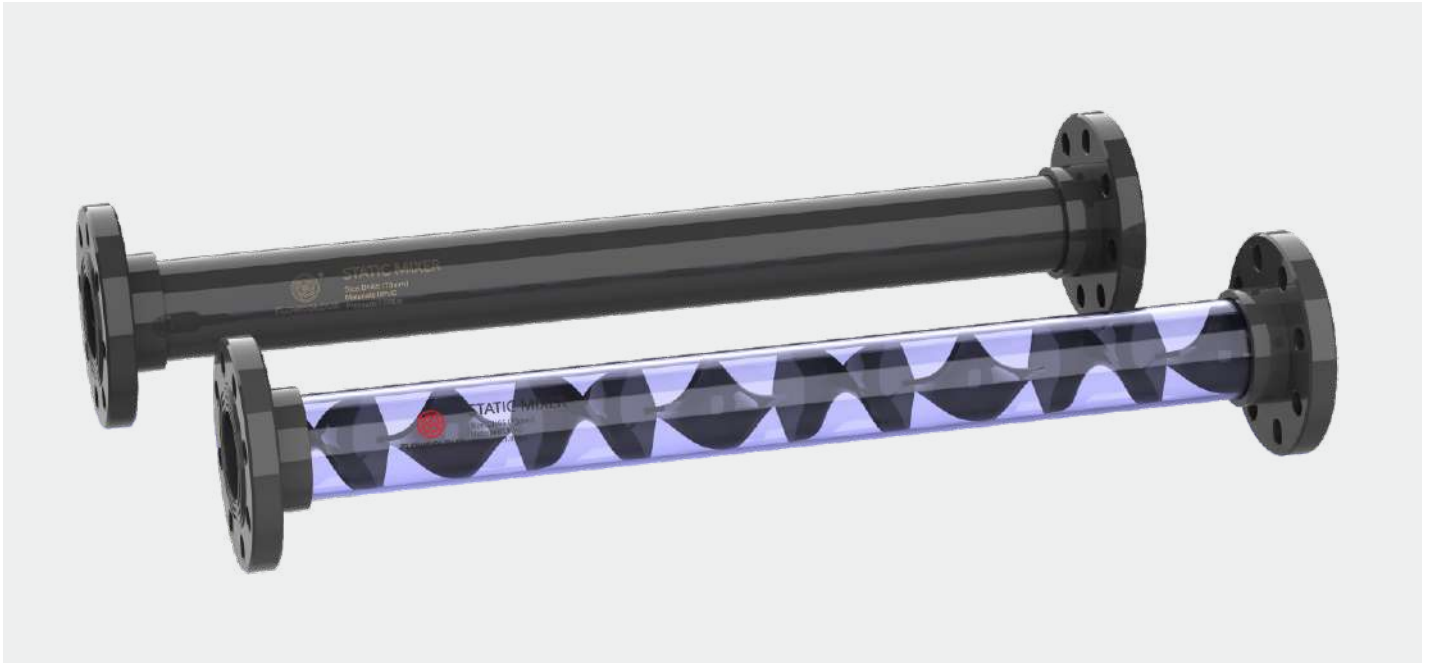
CONNECTION: **Socket**

CONSTRUCTION			
ITEM	PART	QTY	MATERIAL
①	Adapter	2	UPVC
②	Nut	2	UPVC
③	Fixed Snap	2	UPVC
④	O-ring	2	EPDM
⑤	Union Body	1	UPVC
⑥	Pipe	1	UPVC
⑦	Mixer	8	UPVC



Unit:mm

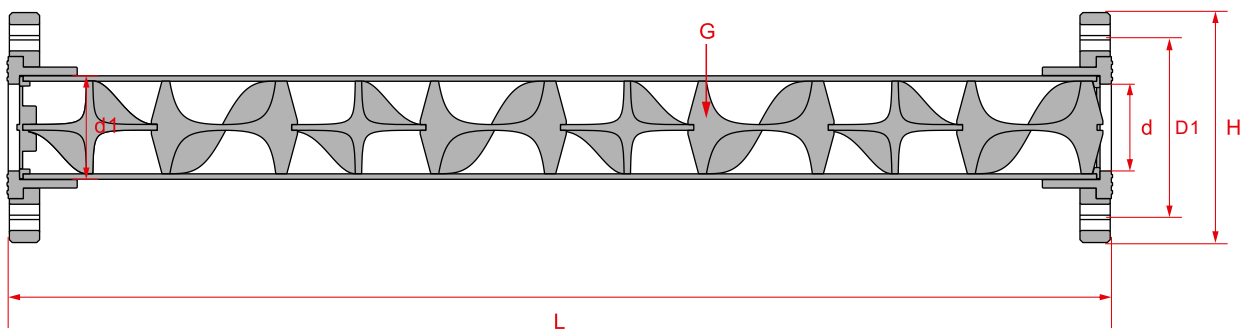
NOMINAL SIZE		d1		STRUCTURE SIZE					FLOW RANGE	PRESSURE	APPROX. WT.(g)		PRODUCT CODE
DN	Inch	DIN	ANSI	d	I	L	H	G(pcs)	m³/h	PN	Clear	Gray	Gray
DN15	1/2"	20	21.34	15	16.5	246.5	44.5	8	0.4-1	10	183	181	501UD10G-20E
DN20	3/4"	25	26.67	20	19	313	51	8	0.6-1.2	10	276	274	501UD10G-25E
DN25	1"	32	33.4	27	22.5	384	59	8	1-3.2	10	429	380	501UD10G-32E
DN32	1-1/4"	40	42.16	34	26.5	496.3	73	8	1.4-6	10	717	663	501UD10G-40E
DN40	1-1/2"	50	48.26	40	31.5	596.5	85	8	2.2-8	10	1061	1284	501UD10G-50E
DN50	2"	63	60.33	53	38	760	104	8	3.5-18	10	2003	2055	501UD10G-63E
DN65	2-1/2"	75	73.03	63	64.5	930	150	8	10-60	10	3650	3598	501UD10G-75E
DN80	3"	90	88.9	75	70	1129	170	8	15-80	10	5404	5568	501UD10G-90E



Flanged Static Mixer

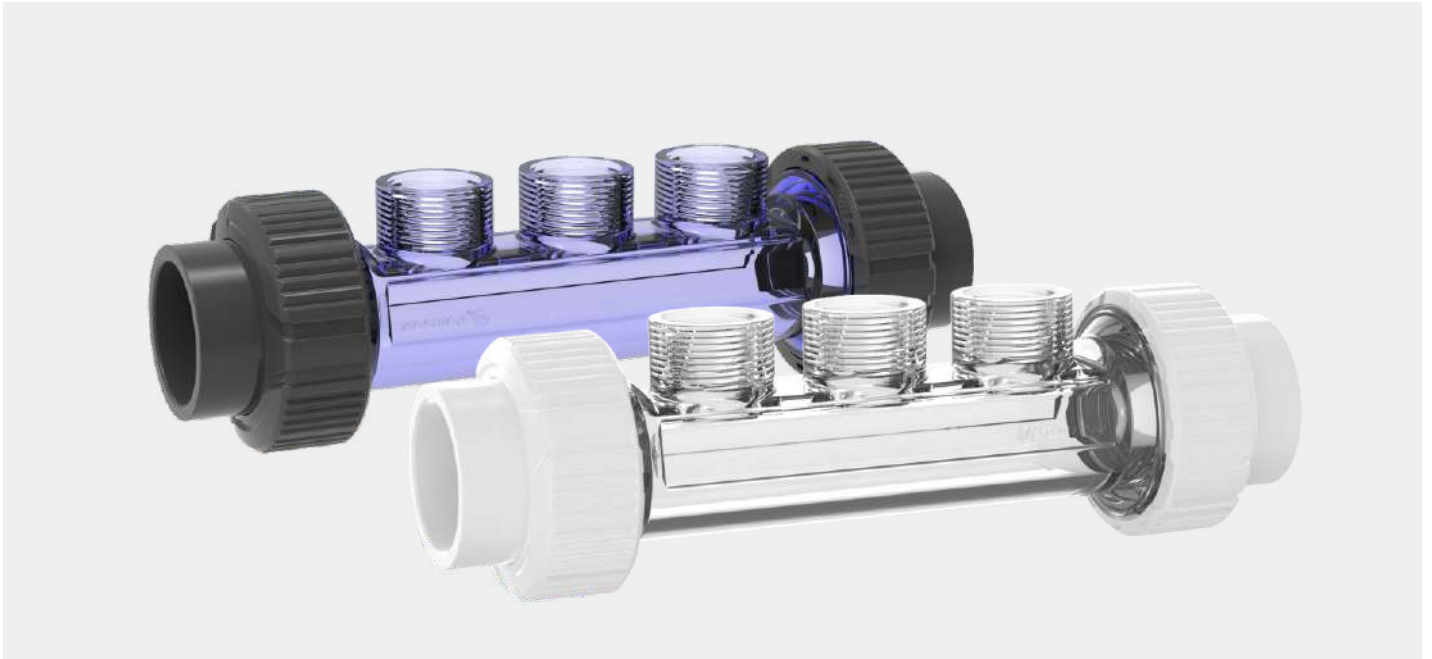
SIZE: DN65~DN100

MATERIAL: **UPVC**
STANDARD: **DIN, ANSI**
COLOUR: **Gray, Gray+Clear**
CONNECTION: **RF-Flange**



Unit:mm

NOMINAL SIZE	STRUCTURE SIZE						FLOW RANGE	PRESSURE	APPROX. WT.(g)		PRODUCT CODE
	DN	d1	d	D1	L	H			G(pcs)	m³/h	
DN65	75	67.6	145	779	185	8	10-60	10	2837	2825	502UD10G-75
DN80	90	75.5	160	961.4	200	8	15-80	10	3863	4030	502UD10G-90
DN100	110	95.2	180	1182	220	8	30-120	10	5950	5800	502UD10G-110



Sensor Holder

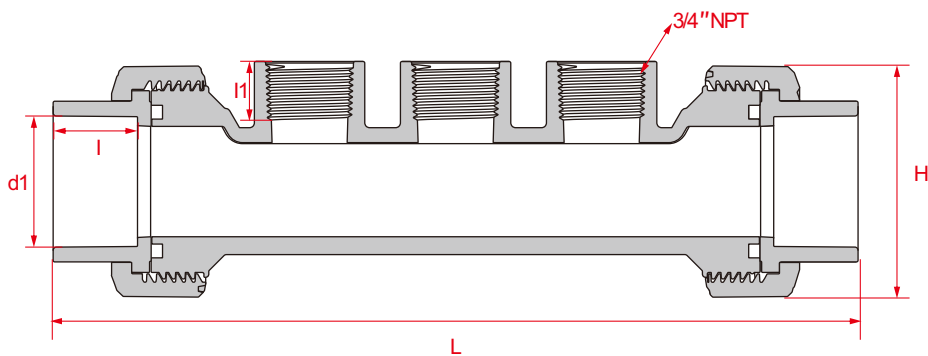
SIZE: DN25~DN50, 1"~2"

MATERIAL: UPVC+Clear-PVC, UPVC+PMMA

STANDARD: DIN, ANSI

COLOUR: Gray+Clear, Gray+Transparent, White+Clear, White+Transparent

CONNECTION: Socket



Unit:mm

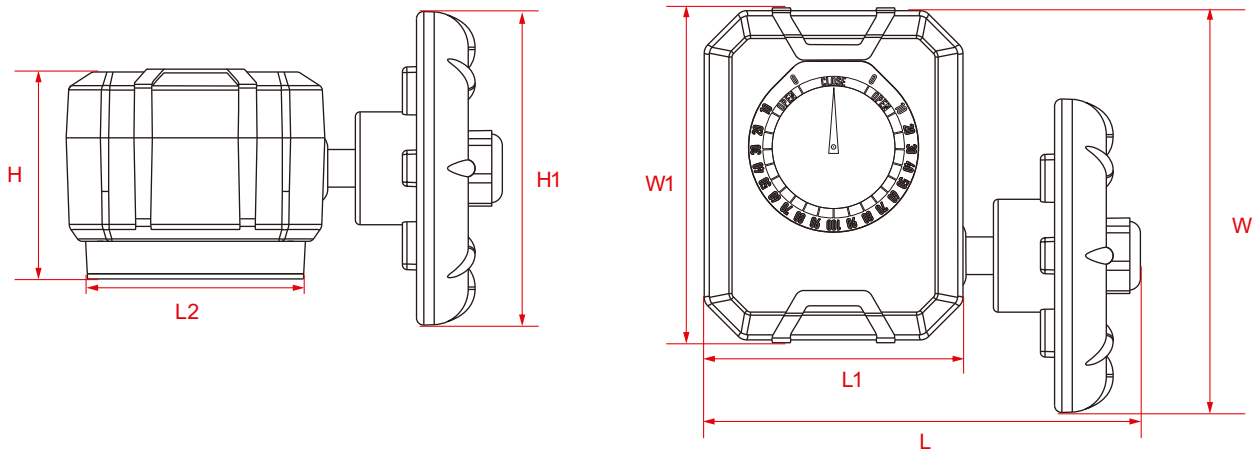
NOMINAL SIZE		d1		STRUCTURE SIZE				PRESSURE	APPROX. WT.	PRODUCT CODE
DN	ANSI	DIN	ANSI	I	I1	L	H	PN	g	
DN25	1"	32	33.4	22.5	18	240	71	10	498.4	506UD10T-32E
DN32	1-1/4"	40	42.16	25.7	18	248	71	10	496.6	506UD10T-40E
DN40	1-1/2"	50	48.26	31.5	18	291.4	104	10	1057.3	506UD10T-50E
DN50	2"	63	60.33	38	18	291.4	104	10	1064.4	506UD10T-63E



Ball Valve Gearbox

CONNECTION: ISO5211

OUTER BOX MATERIAL: **PPO**
ENCLOSURE: **IP66**
SPEED RATIO: **30:1**



Unit:mm

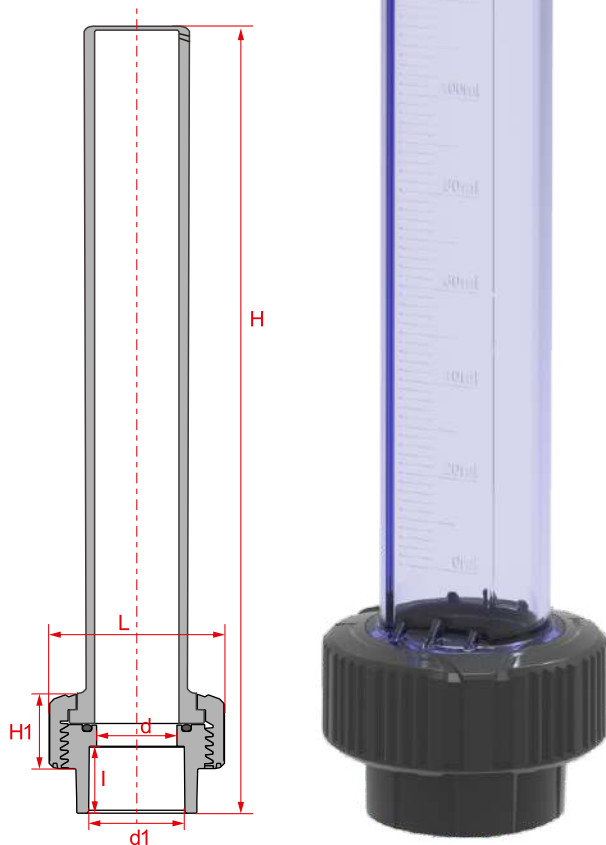
NOMINAL SIZE	STRUCTURE SIZE							TORQUE	FLANGE	APPROX. WT. g	PRODUCT CODE
	H	H1	W	W1	L	L1	L2				
10N	44.6	66.7	86	71.2	92.8	55	45.9	10N.m	F03	270	505PPOB-10N



Union Calibration Column

SIZE: 32mmx100mL,40mmx200mL

MATERIAL: **UPVC**
STANDARD: **DIN**
COLOUR: **Gray+Clear**
CONNECTION: **Socket**



Unit:mm

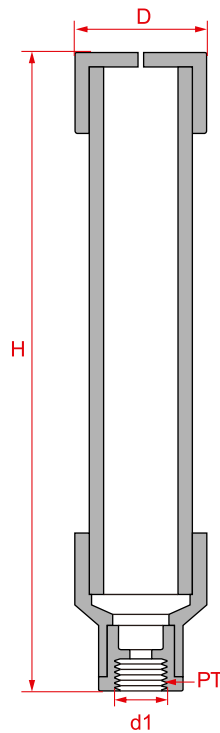
NOMINAL SIZE	d1		STRUCTURE SIZE					APPROX. WT. g	PRODUCT CODE
	DIN	ANSI	d	l	L	H	H1		
100mL	32	33.4	27	22.5	59	303	25	232	503UD00T-100ML
200mL	40	42.16	34	26	73.4	355.8	29	340	503UD00T-200ML



Female Calibration Column

SIZE: 100mL, 1/2"

MATERIAL: **UPVC**
 STANDARD: **DIN, PT**
 COLOUR: **Gray+Clear**
 CONNECTION: **Thread**



Unit:mm

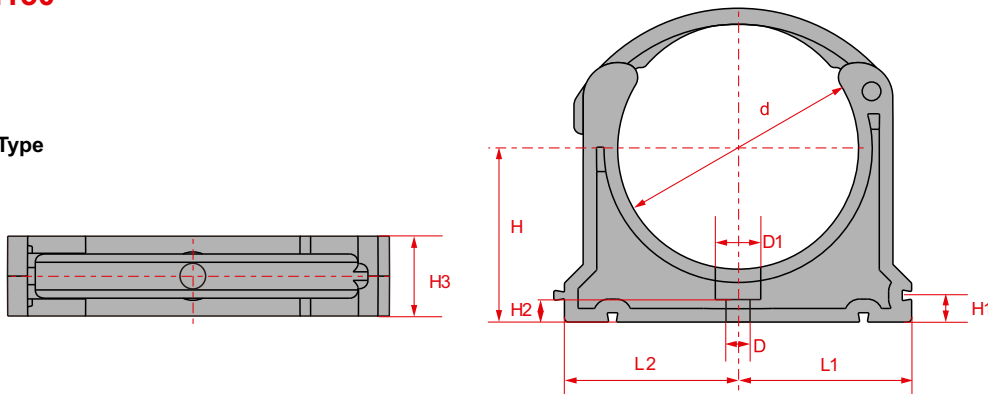
NOMINAL SIZE	STRUCTURE SIZE				APPROX.WT.	PRODUCT CODE
volume(ml)	d1	D	H	Thread	g	
100ml	1/2"	40	297	PT	168.4	504UD00T-100ML



Pipe Clip

SIZE: DN25-DN150

MATERIAL: **PP**
 STANDARD: **DIN**
 COLOUR: **Black**
 CONNECTION: **Buckle Type**



Unit:mm

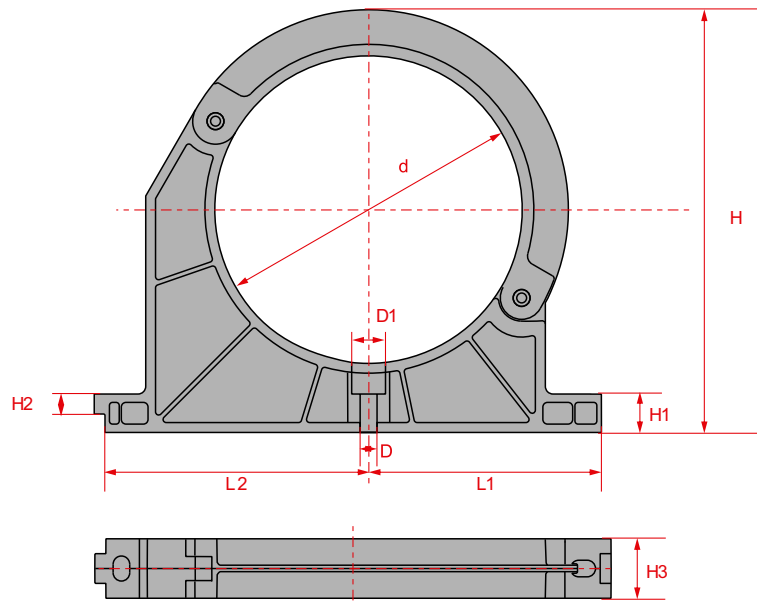
NOMINAL SIZE		STRUCTURE SIZE									APPROX. WT.	PRODUCT CODE
DN	d	D	D1	H	H1	H2	H3	L1	L2	SC	g	Black
DN25	32	6	11	36	10	6	16	24	27	M5	11	507PD00K-32
DN32	40	7	14	44	10	7	22	34	34	M6	26	507PD00K-40
DN40	50	7	14	51	10	7	22	37	37	M6	31	507PD00K-50
DN50	63	9	17	64	10	10	25	45	45	M8	50	507PD00K-63
DN65	75	9	17	58	10	10	25	52	52	M8	57	507PD00K-75
DN80	90	9	17	65	10	10	28	65	65	M8	91.6	507PD00K-90
DN100	110	9	17	75	10	10	28	79	79	M8	117	507PD00K-110
DN125	140	9	17	110	10	10	32	98	98	M8	51.7	507PD00K-140
DN150	160	9	17	108	10	10	32	109	109	M8	241.6	507PD00K-160



PIPE CLIP(Large)

SIZE: 200mm

MATERIAL: **PP**
 STANDARD: **DIN**
 COLOUR: **Black**
 CONNECTION: **Buckle Type**



Unit:mm

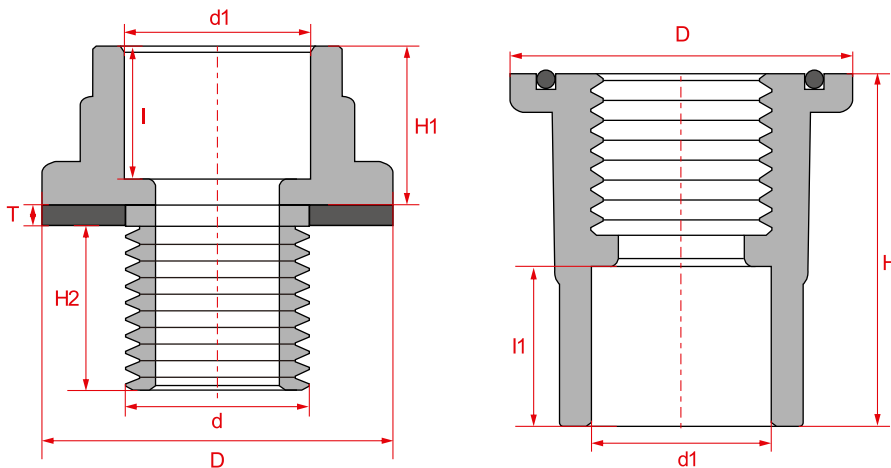
NOMINAL SIZE	STRUCTURE SIZE										APPROX. WT. g	PRODUCT CODE
	d	D	D1	H	H1	H2	H3	L1	L2	SC		
200mm	200	22	11	275	25	13	38	151.5	171.5	M8	---	507PD00B-200



Bulkhead

SIZE: DN15~DN40, 1/2"~ 1-1/2"

- MATERIAL: **UPVC**
- STANDARD: **DIN, ANSI**
- COLOUR: **Gray, White, Black**
- CONNECTION: **Socket**
- SEAL: **Silica**



Unit:mm

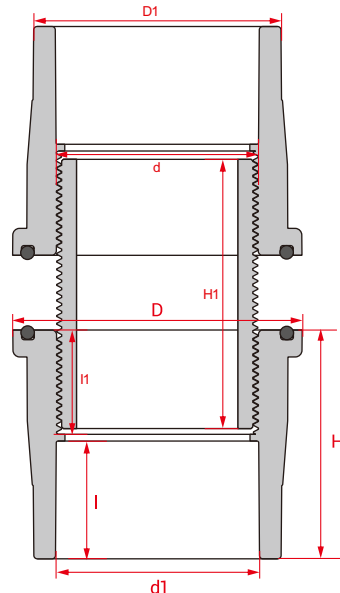
NOMINAL SIZE		d1		STRUCTURE SIZE								PRESSURE	HOLE SIZE	CLAMPING THICKNESS	APPROX. WT.	PRODUCT CODE
DN	ANSI	DIN	ANSI	D	d	I	I1	H	H1	H2	T	PN			g	DIN Gray
DN15	1/2"	20	21.34	38	1/2"	18.2	18.8	43	22	23	3.0	10	20-23	5-12	47	609UD10G-20S
DN20	3/4"	25	26.67	45	3/4"	18.8	19.9	52	22	33	3.0	10	25-28	6-24	73	609UD10G-25S
DN25	1"	32	33.40	52	1"	18.3	19.2	53	22	36	3.0	10	32-35	8-24	94	609UD10G-32S
DN32	1-1/4"	40	42.16	60	1-1/4"	20.3	20.2	56	23	37	3.0	10	40-43	8-24	126	609UD10G-40S
DN40	1-1/2"	50	48.26	70	1-1/2"	21.8	22.4	60	29	37	3.0	10	50-53	0-24	167	609UD10G-50S



Bulkhead

SIZE: DN50,2"

MATERIAL: **UPVC**
STANDARD: **DIN, ANSI**
COLOUR: **Gray, White**
CONNECTION: **Socket**
SEAL: **Silica**



Unit:mm

NOMINAL SIZE		d1		STRUCTURE SIZE						PRESSURE	HOLE SIZE	CLAMPING THICKNESS	APPROX. WT.	PRODUCT CODE
DN	ANSI	DIN	ANSI	D	D1	d	I	I1	H	H1	PN		g	DIN Gray
DN50	2"	63	60.33	86	73.5	2"	35	31	68	8	10	60-63	0-24	609UD10G-63S



Elbow Bulkhead

SIZE: DN15~DN32

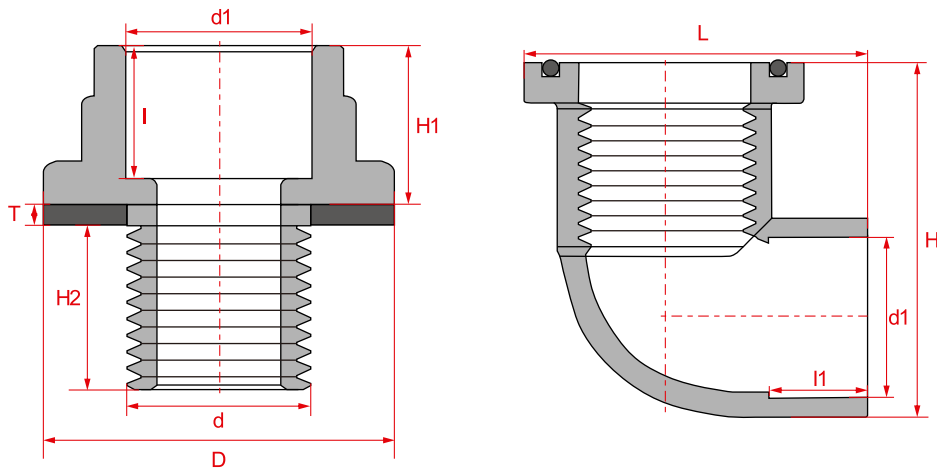
MATERIAL: **UPVC**

STANDARD: **DIN**

COLOUR: **Gray, White, Black**

CONNECTION: **Socket**

SEAL: **Silica**



Unit:mm

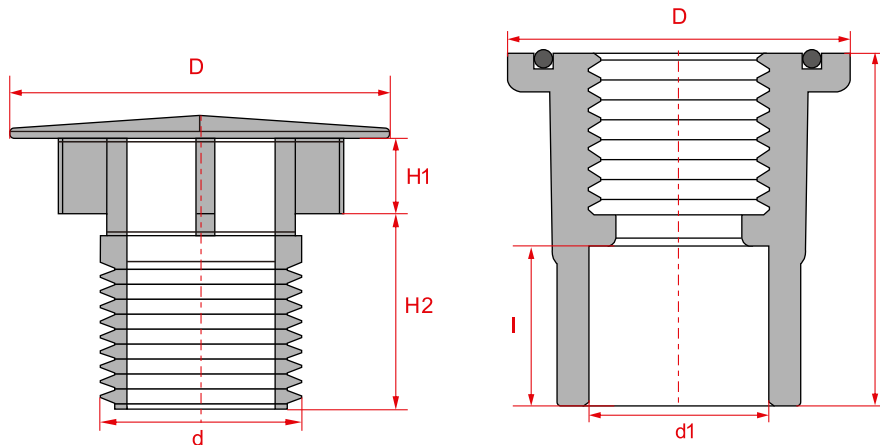
NOMINAL SIZE	STRUCTURE SIZE										PRESSURE	HOLE SIZE	CLAMPING THICKNESS	APPROX. WT.	PRODUCT CODE
	DN	d1	D	d	I	I1	L	H	H1	H2					
DN15	20	38	1/2"	18.2	16.5	49	38	22	23	3.0	10	20-23	8-17	53	610UD10G-20S
DN20	25	45	3/4"	18.8	19.2	56	60	22	33	3.0	10	25-28	5-25	85	610UD10G-25S
DN25	32	52	1"	18.3	22.5	66	70	22	36	3.0	10	32-35	5-25	122	610UD10G-32S
DN32	40	60	1-1/4"	20.3	26.5	78.9	75	23	37	3.0	10	40-43	8-24	167.6	612UD10G-40S



Force Drain

SIZE: DN15~DN32, 1/2"~ 1-1/4"

- MATERIAL: **UPVC**
- STANDARD: **DIN, ANSI**
- COLOUR: **Gray, White**
- CONNECTION: **Socket**
- SEAL: **Silica**



Unit:mm

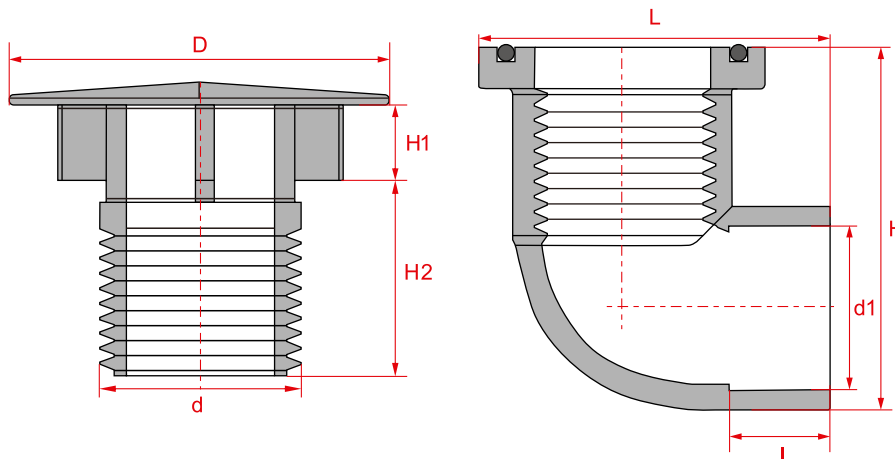
NOMINAL SIZE		d1		STRUCTURE SIZE						PRESSURE	HOLE SIZE	CLAMPING THICKNESS	APPROX. WT.	PRODUCT CODE
DN	ANSI	DIN	ANSI	d	D	I	H	H1	H2	PN			g	DIN Gray
DN15	1/2"	20	21.34	1/2"	38	18.8	43	6	22	10	20-23	7-12	33	611UD10G-20S
DN20	3/4"	25	26.67	3/4"	45	19.9	52	10	38	10	25-28	8-25	58	611UD10G-25S
DN25	1"	32	33.40	1"	52	19.2	53	12	38	10	32-35	10-30	77	611UD10G-32S
DN32	1-1/4"	40	42.16	1-1/4"	61	20.2	56	11	37	10	40-43	8-24	100.8	611UD10G-40S



Elbow Force Drain

SIZE: DN15~DN32

MATERIAL: **UPVC**
STANDARD: **DIN**
COLOUR: **Gray, White**
CONNECTION: **Socket**
SEAL: **Silica**



Unit:mm

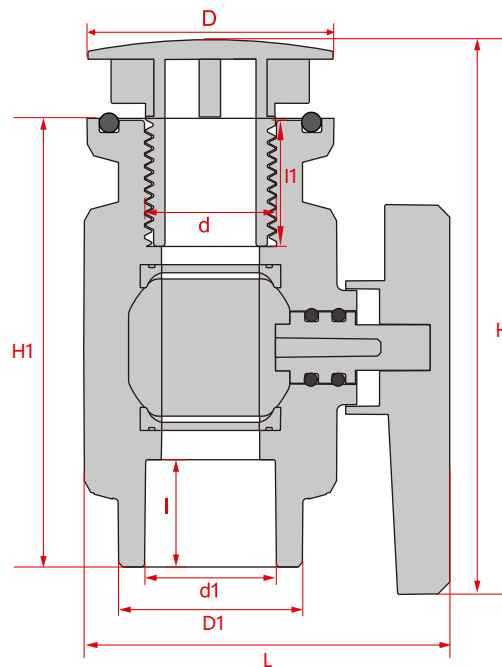
NOMINAL SIZE	STRUCTURE SIZE								PRESSURE	HOLE SIZE	CLAMPING THICKNESS	APPROX. WT.	PRODUCT CODE
	d1	D	d	l	L	H	H1	H2					
DN15	20	38	1/2"	16.5	49	38	6	22	10	20-23	7-12	39	612UD10G-20S
DN20	25	45	3/4"	19.2	56	60	10	38	10	25-28	8-25	70	612UD10G-25S
DN25	32	52	1"	22.5	66	70	12	38	10	32-35	10-30	105	612UD10G-32S
DN32	40	61	1-1/4"	26.5	78.9	75	11	37	10	40-43	8-24	147	612UD10G-40S



Drain Ball Valve

SIZE: DN15~DN25, 1/2"~ 1"

MATERIAL: **UPVC**
STANDARD: **DIN**
COLOUR: **Gray**
CONNECTION: **Socket**
SEAL: **Silica**



Unit:mm

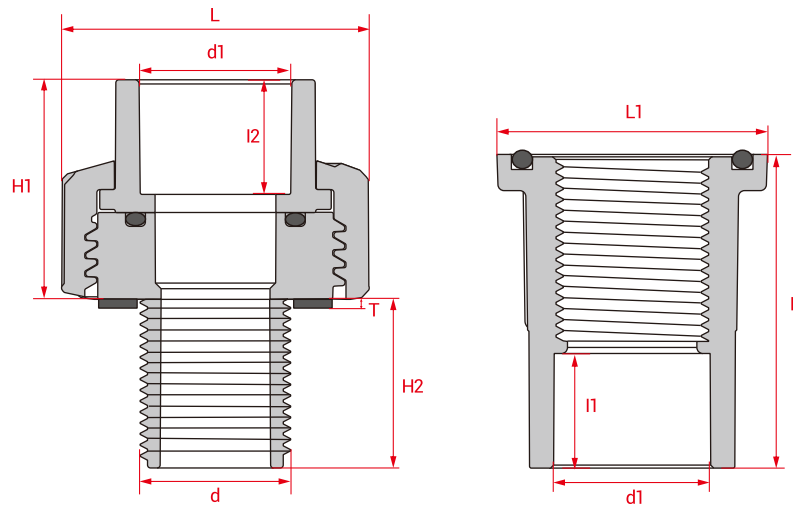
NOMINAL SIZE	STRUCTURE SIZE									PRESSURE	HOLE SIZE	CLAMPING THICKNESS	APPROX. WT.	PRODUCT CODE
	DN	d1	d	D	D1	I	I1	H	H1					
DN15	20	1/2"	38	28	16.2	19.6	85	69	57	10	20-23	7-12	83.2	314UD10G-20S
DN20	25	3/4"	45	34	18.7					10	25-28	8-25		314UD10G-25S
DN25	32	1"	52	42.7	22.2					10	32-35	10-30		314UD10G-32S



Quick Bulkhead

SIZE: DN15~DN40, 1/2"~ 1-1/2"

- MATERIAL: **UPVC**
- STANDARD: **DIN, ANSI**
- COLOUR: **Gray, White, Black**
- CONNECTION: **Socket**
- SEAL: **Silica**



Unit:mm

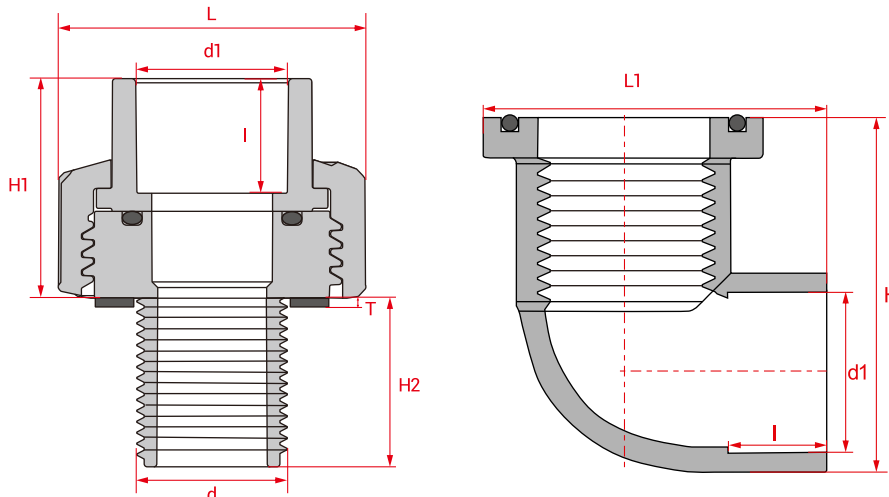
NOMINAL SIZE	STRUCTURE SIZE										PRESSURE	HOLE SIZE	CLAMPING THICKNESS	APPROX. WT.	PRODUCT CODE
DN	d1	d	I1	I2	L	L1	H	H1	H2	T	PN			g	Gray
DN15	20	1/2"	18.8	16.5	44.5	38	43	31.8	23	2	10	20-23	0-12	66.8	613UD10G-20S
DN20	25	3/4"	19.9	19	51	45	52	36.4	35	2	10	25-28	0-19	101	613UD10G-25S
DN25	32	1"	19.2	22.5	59	52	53	40.3	40	2	10	32-35	8-25	137.4	613UD10G-32S
DN32	40	1-1/4"	20.2	26.5	73	60	56	47	40	2	10	40-43	8-25	214.7	613UD10G-40S
DN40	50	1-1/2"	22.4	31.5	85	70	60	54.5	40	2	10	50-53	0-25	304	613UD10G-50S



Quick Elbow Bulkhead

SIZE: DN15~DN32

MATERIAL: **UPVC**
 STANDARD: **DIN**
 COLOUR: **Gray, White, Black**
 CONNECTION: **Socket**
 SEAL: **Silica**



Unit:mm

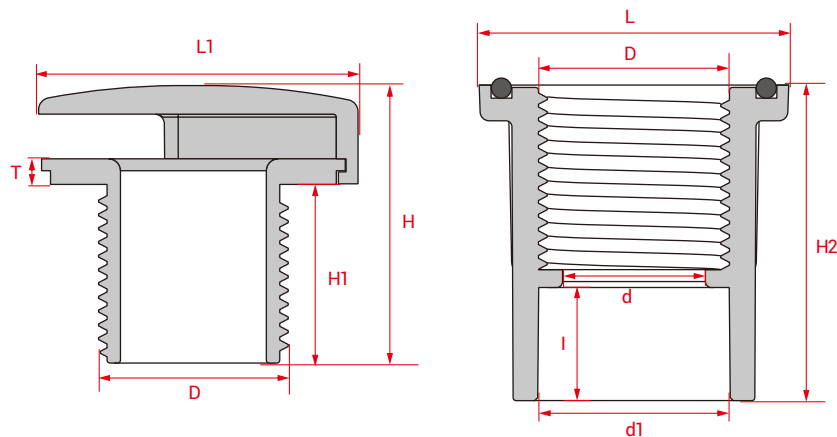
NOMINAL SIZE	STRUCTURE SIZE									PRESSURE	HOLE SIZE	CLAMPING THICKNESS	APPROX. WT.	PRODUCT CODE
	DN	d1	d	I	L	L1	H	H1	H2					
DN15	20	1/2"	16.5	44.5	49	38	31.8	23	2	10	20-23	5-15	71.7	626UD10G-20S
DN20	25	3/4"	19	51	56	60	36.4	35	2	10	25-28	5-25	118.5	626UD10G-25S
DN25	32	1"	22.5	59	66	70	40.3	40	2	10	32-35	5-25	171	626UD10G-32S
DN32	40	1-1/4"	26.5	73	78.9	75	47	40	2	10	40-43	8-24	266	626UD10G-40S



Bottom Outlet

SIZE: DN20~DN25, 3/4"~ 1"

MATERIAL: **UPVC**
STANDARD: **DIN, ANSI**
COLOUR: **Black+Gray**
CONNECTION: **Socket**



Unit:mm

NOMINAL SIZE		d1		STRUCTURE SIZE								PRESSURE	HOLE SIZE	CLAMPING THICKNESS	APPROX. WT.	PRODUCT CODE	
DN	ANSI	DIN	ANSI	d	D	I	L	L1	H	H1	H2	T	PN		g	Black	
DN15	3/4"	25	26.67	21.4	25	19	45	44.7	44	30	52	4	10	25-28	6-24	59	621UD10K-25S
DN20	1"	32	33.4	24	32	19	52	53.7	46.7	30	53	4.3	10	32-35	8-28	81.5	621UD10K-32S



Water Outlet Connector

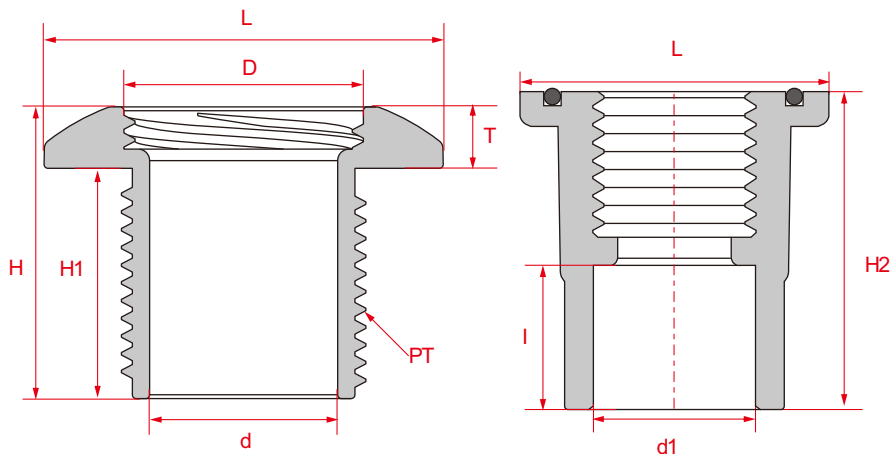
SIZE: DN15~DN25, 1/2"~ 1"

MATERIAL: **UPVC**

STANDARD: **DIN, ANSI**

COLOUR: **Black+Gray**

CONNECTION: **Socket, Thread**



Unit:mm

NOMINAL SIZE		d1		STRUCTURE SIZE									PRESSURE	HOLE SIZE	CLAMPING THICKNESS	APPROX. WT.	PRODUCT CODE
DN	ANSI	DIN	ANSI	d	D	I	L	H	H1	H2	T	PT	PN			g	
DN15	1/2"	20	21.34	14	18	18.8	38	27.5	20	43	7.5	1/2"	10	20-23	0-12	33.5	619UD10B-20S
DN20	3/4"	25	26.67	18.5	24	19.9	45	37.9	30	52	7.9	3/4"	10	25-28	5-22	54	619UD10B-25S
DN25	1"	32	33.40	24.5	31.2	19.2	52	38	30	53	8	1"	10	32-35	2-22	70.7	619UD10B-32S



Elbow Water Outlet Connector

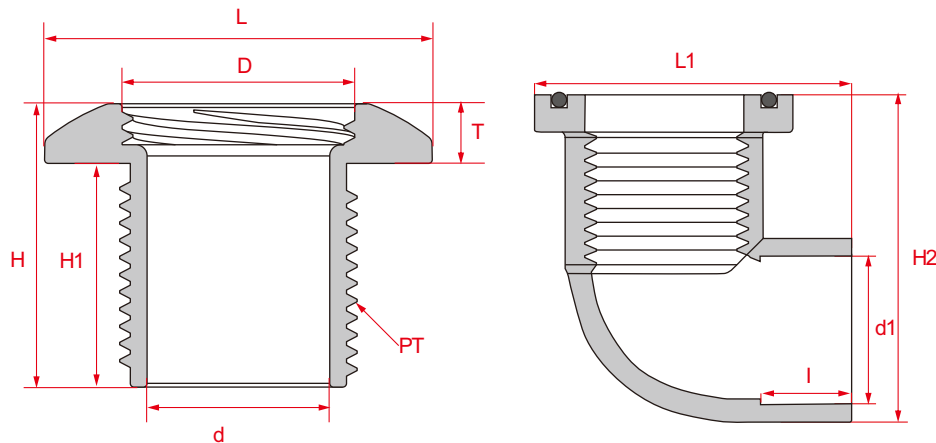
SIZE: DN15~DN25, 1/2"~ 1"

MATERIAL: **UPVC**

STANDARD: **DIN**

COLOUR: **Black+Gray**

CONNECTION: **Socket, Thread**



Unit:mm

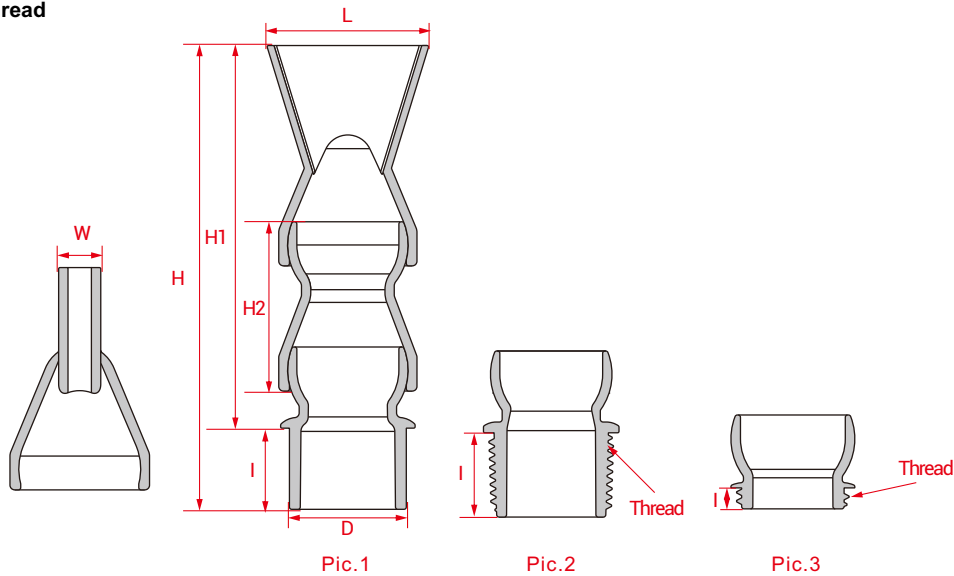
NOMINAL SIZE	STRUCTURE SIZE											PRESSURE	HOLE SIZE	CLAMPING THICKNESS	APPROX. WT.	PRODUCT CODE
	DN	d1	d	D	l	L	L1	H	H1	H2	T					
DN15	20	14	18	16.5	38	49	27.5	20	38	7.5	1/2"	10	20-23	5-12	40	620UD10K-20S
DN20	25	18.5	24	19.2	45	56	37.9	30	60	7.9	3/4"	10	25-28	0-22	68	620UD10K-25S
DN25	32	24.5	31.2	22.5	52	66	38	30	70	8	1"	10	32-35	0-22	103	620UD10K-32S



Triangle Water Outlet

SIZE: DN15~DN25, 1/2" ~ 1"

MATERIAL: **POM**
STANDARD: **DIN**
COLOUR: **Black**
CONNECTION: **Spigot, Thread**



Unit:mm

NOMINAL SIZE	Spigot (Pic.1)			Thread (Pic.2)		Thread (Pic.3)		STRUCTURE SIZE					PRESSURE	APPROX. WT.	PRODUCT CODE
	DN	D	I	H	I	H	I	H	W	L	H1	H2	Thread	PN	g
DN15	20	15	84	15.6	84.7	5.5	73.5	8	31.76	69	30	1/2"	10	22	622POMN10B-20P
DN20	25	17.5	100	18	101	4.4	85.7	8.9	34.76	82.5	36.5	3/4"	10	32	622POMN10B-25P
DN25	32	18	107	20.3	109	5.5	94	10.5	37.81	89	39.5	1"	10	41	622POMN10B-32P



Laval Water Outlet

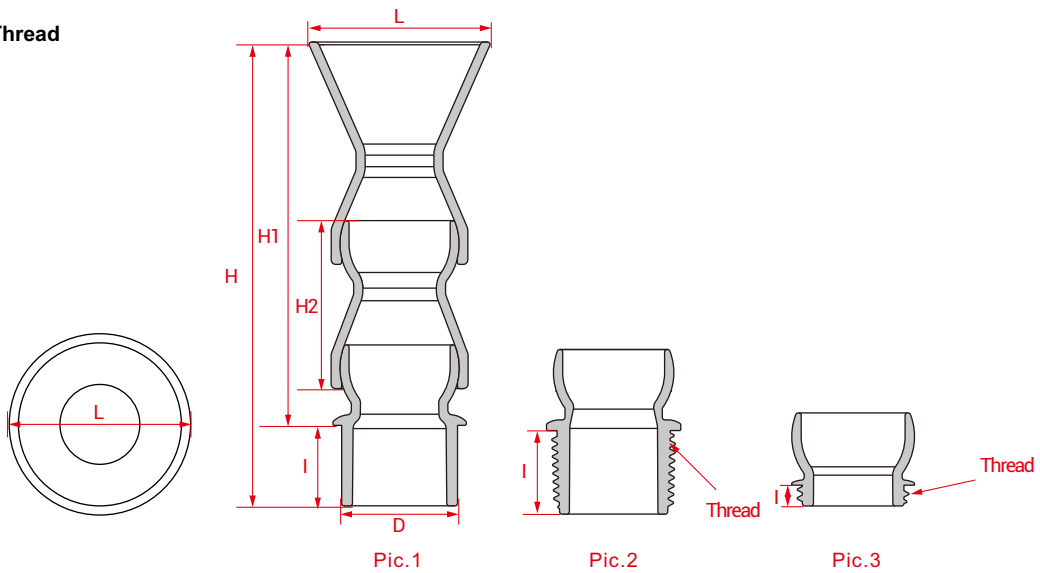
SIZE: DN15~DN25, 1/2" ~ 1"

MATERIAL: **POM**

STANDARD: **DIN**

COLOUR: **Black**

CONNECTION: **Spigot, Thread**



Unit:mm

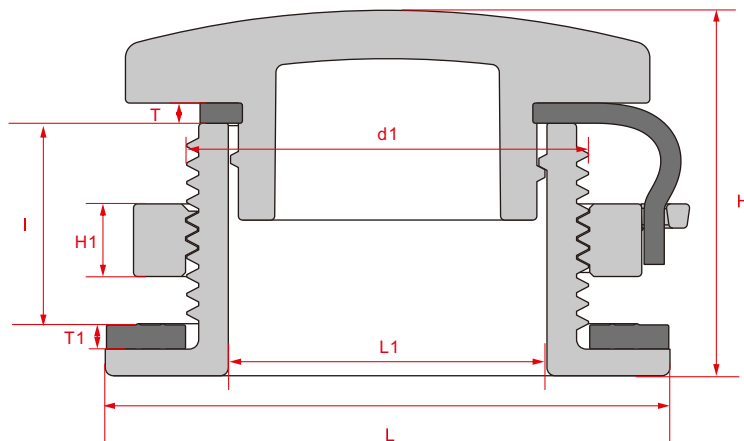
NOMINAL SIZE	Spigot (Pic.1)			Thread (Pic.2)		Thread (Pic.3)		STRUCTURE SIZE				PRESSURE	APPROX. WT.	PRODUCT CODE
	DN	D	I	H	I	H	I	H	L	H1	H2	Thread	PN	g
DN15	20	15	84	15.6	84	5.5	73.6	34.42	69	30	1/2"	10	25	623POMN10B-20P
DN20	25	17.5	101	18	102	4.4	85.7	39.47	83.5	36.5	3/4"	10	34	623POMN10B-25P
DN25	32	18	104	20.3	106	5.5	91	43.43	86	39.5	1"	10	43	623POMN10B-32P



Water Level Control Connector

SIZE: DN40

MATERIAL: **UPVC**
STANDARD: **DIN**
COLOUR: **Gray**
CONNECTION: **Socket**



Unit:mm

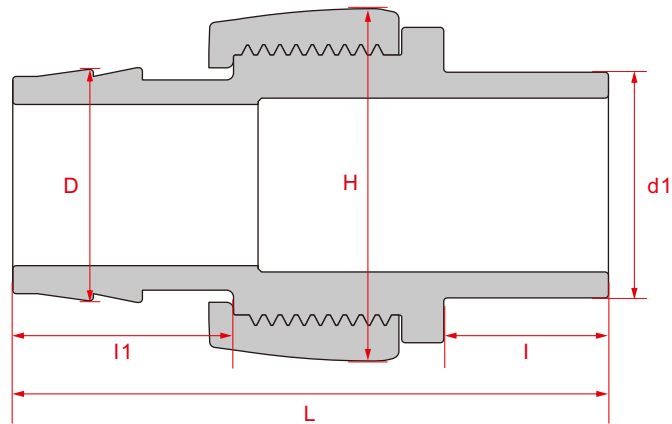
NOMINAL SIZE	STRUCTURE SIZE								HOLE SIZE	CLAMPING THICKNESS	APPROX. WT.	PRODUCT CODE
	d1	I	L	L1	H	H1	T	T1		g	Gray	
DN40	50	24.8	70	39.5	45.5	9	2.5	3	50-53	5-15	106	624UN00G-50G



Hose Lock Spigot

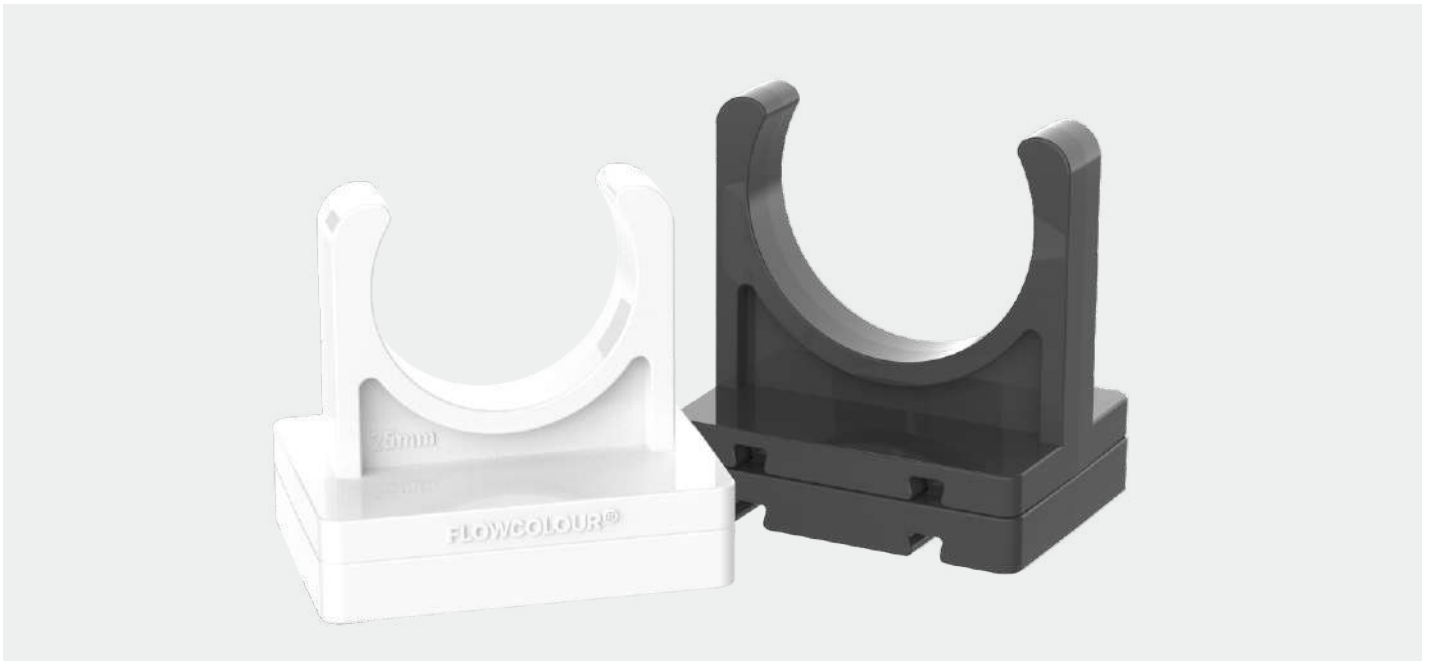
SIZE: DN15~DN25, 18mm~33mm

MATERIAL: **UPVC+ABS**
STANDARD: **DIN**
COLOUR: **Gray, White**
CONNECTION: **Spigot**



Unit:mm

NOMINAL SIZE	STRUCTURE SIZE							APPROX. WT.	PRODUCT CODE
d1*D	d1	D	I	I1	L	H	g	Gray	
20mmxφ18	20	18	15.5	25	65	35	30.5	625UD00G-20/18	
20mmxφ21	20	21	15.5	25	65	35	29.8	625UD00G-20/21	
25mmxφ21	25	21	19	25	68.5	35	29.5	625UD00G-25/21	
32mmxφ27	32	27	23.5	31.5	85	50.8	75.7	625UD00G-32/27	
32mmxφ33	32	33	23.5	31.5	85	50.8	76.7	625UD00G-32/33	



Aquarium Pipe Clip

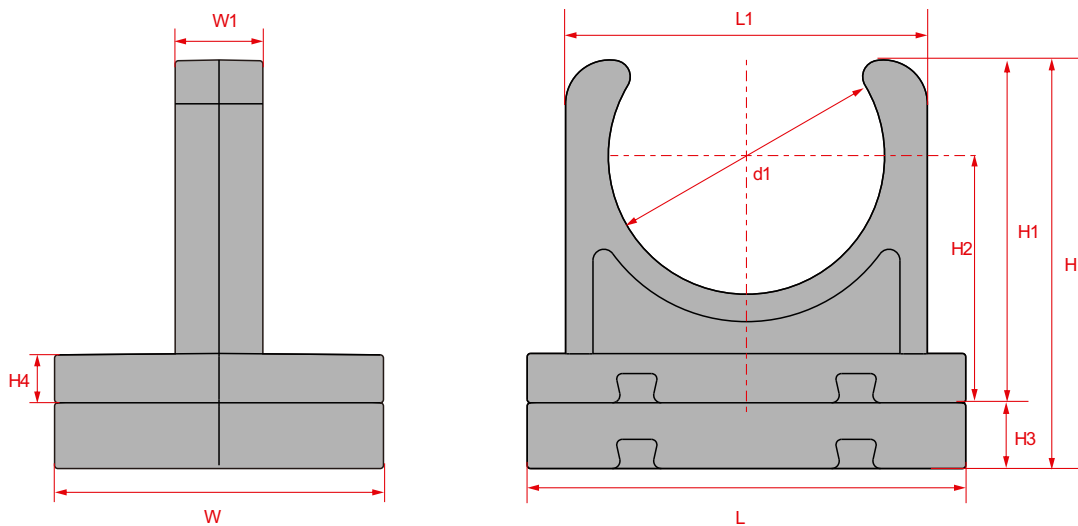
SIZE: DN20-DN25

MATERIAL: **UPVC**

STANDARD: **DIN**

COLOUR: **Gray, White**

CONNECTION: **Snap-on**



Unit:mm

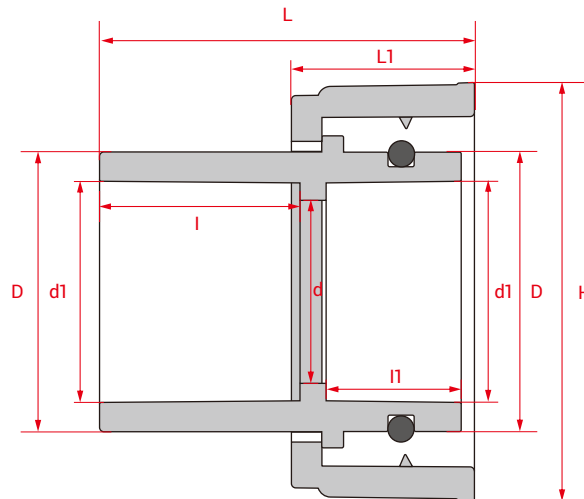
NOMINAL SIZE		STRUCTURE SIZE									APPROX. WT.	PRODUCT CODE
DN	d1	L	L1	H	H1	H2	H3	H4	W	W1	g	Gray
DN20	25	40	33	37.3	31.3	22.5	6	4.5	30	8	19.2	627UD00G-25
DN25	32	40	40	42.4	36.4	26.5	6	4.5	30	8	20.3	627UD00G-32



Union Connector

SIZE: 25mmx32mm

MATERIAL: UPVC
STANDARD: DIN
COLOUR: Gray
CONNECTION: Socket, Spigot
SEAL: EPDM



Unit:mm

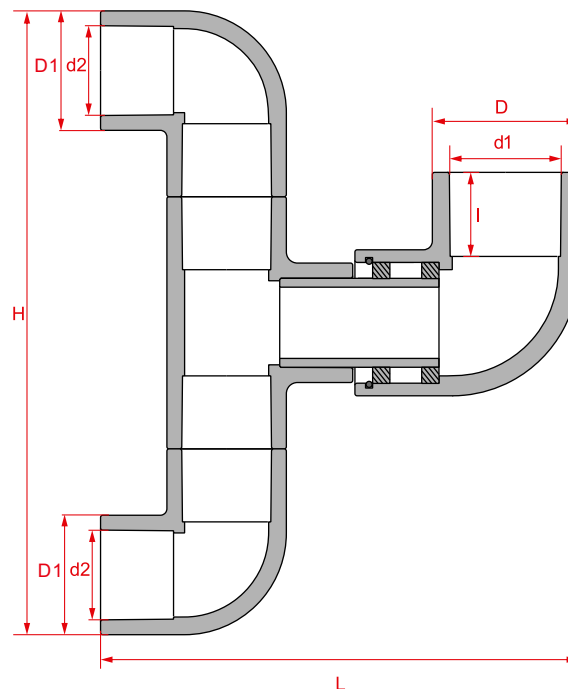
NOMINAL SIZE	STRUCTURE SIZE								PRESSURE	APPROX. WT.	PRODUCT CODE
d1*D	d1	D	d	I	I1	L	L1	H	PN	g	
25*32	25	32	21	23	15.5	43	21	48	10	36	608UD10G-25E



Double Ends Rotating Water Outlet

SIZE: DN20~DN25

MATERIAL: UPVC
STANDARD: DIN
COLOUR: Gray
CONNECTION: Socket



Unit:mm

NOMINAL SIZE	STRUCTURE SIZE							APPROX. WT.	PRODUCT CODE
DN	d1	d2	D	D1	I	L	H	g	
DN20	25	20	33	27	19	108	141	118	617UD00G-25
DN25	32	25	40.5	33	22.5	128.3	169	192.5	617UD00G-32



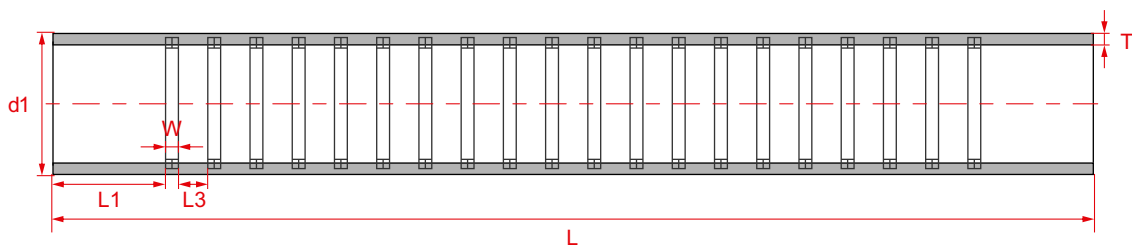
Rain Pipe

SIZE: DN15~DN40

MATERIAL: **UPVC**

STANDARD: **DIN**

COLOUR: **Gray, Red, Blue, Orange**



Unit:mm

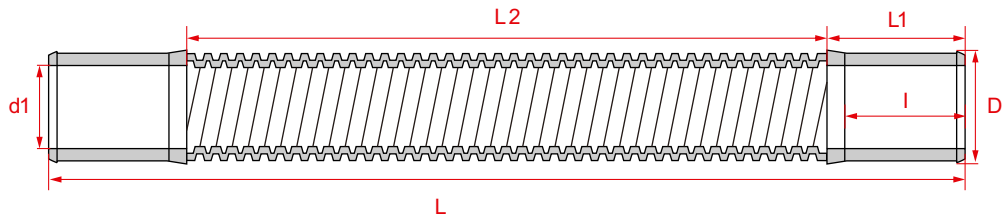
NOMINAL SIZE	STRUCTURE SIZE						PRESSURE	APPROX. WT.	PRODUCT CODE
DN	d1	L	L1	L3	W	T	PN	g	Gray
DN15	20	320	30	10	4	2.0	10	58.6	614UD10G-20
DN20	25	320	30	10	4	2.0	10	74.0	614UD10G-25
DN25	32	320	30	10	4	2.0	10	98.3	614UD10G-32
DN32	40	320	30	10	4	2.0	10	126.2	614UD10G-40
DN40	50	320	30	10	4	2.4	10	180.5	614UD10G-50



Ribbed Hosing

SIZE: DN15~DN40,20mm~50mm

MATERIAL: **EVA**
STANDARD: **DIN**
COLOUR: **Black**
CONNECTION: **Socket**



Unit:mm

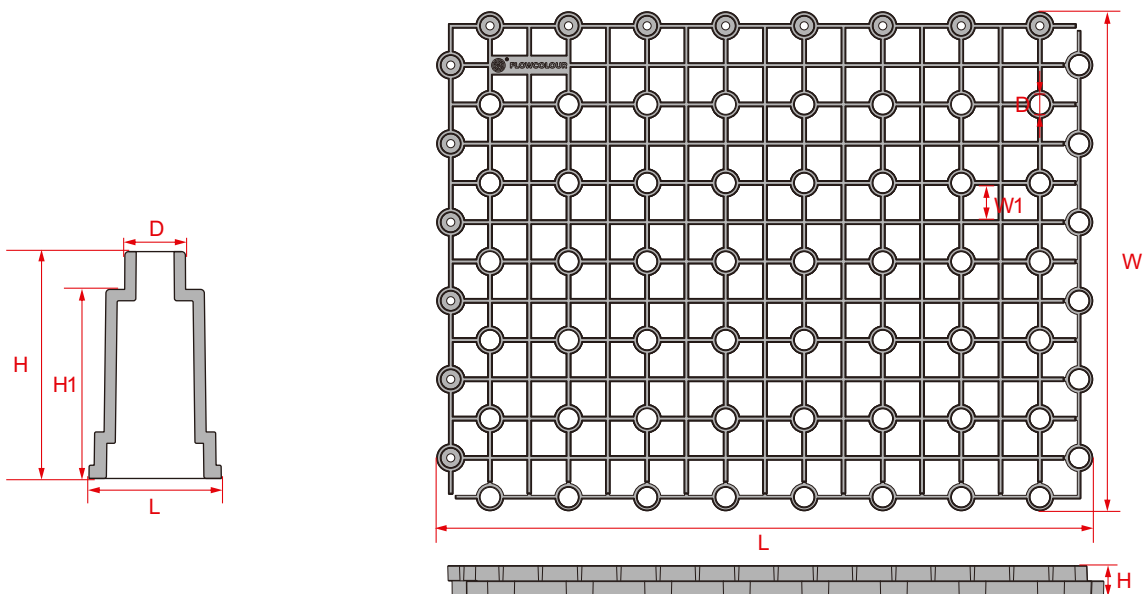
NOMINAL SIZE	STRUCTURE SIZE						APPROX. WT.	PRODUCT CODE
d1*L(m)	d1	D	I	L	L1	L2	g	Black
20mm*0.3m	20	25	25	300	35	230±25	32.9	607EVAD00K-20/0.3M
20mm*0.5m	20	25	25	500	35	430±25	50	607EVAD00K-20/0.5M
25mm*0.3m	25	33	28	300	40	220±25	50.6	607EVAD00K-25/0.3M
25mm*0.5m	25	33	28	500	40	420±25	75.7	607EVAD00K-25/0.5M
25mm*1m	25	33	28	1000	40	920±25	142.2	607EVAD00K-25/1M
32mm*0.3m	32	40	28	300	45	210±25	73.6	607EVAD00K-32/0.3M
32mm*0.5m	32	40	28	500	45	410±25	105.8	607EVAD00K-32/0.5M
32mm*1m	32	40	28	1000	45	910±25	202.6	607EVAD00K-32/1M
40mm*0.3m	40	46	28	300	50	200±25	105.7	607EVAD00K-40/0.3M
40mm*0.5m	40	46	28	500	50	400±25	154.9	607EVAD00K-40/0.5M
40mm*1m	40	46	28	1000	50	900±25	288.1	607EVAD00K-40/1M
50mm*0.3m	50	58	32	300	55	190±25	151.9	607EVAD00K-50/0.3M
50mm*0.5m	50	58	32	500	55	390±25	201.7	607EVAD00K-50/0.5M
50mm*1m	50	58	32	1000	55	890±25	363.4	607EVAD00K-50/1M



Divider Plate / Foot

SIZE: 265.6x202mm

MATERIAL: **ABS, PE**
STANDARD: **DIN**
COLOUR: **Clear, White, Black**



Unit:mm

NAME	STRUCTURE SIZE						APPROX. WT.(g)		PRODUCT CODE
	D	L	H	H1	W	W1	Black/Clear	White	Black (PE)
Divider plate	8	265.6	12.3	--	202	14	137.9	107.4	615PEN00K
Foot	8	17.5	30	25	--	--	2.2	1.8	616PEN00K



FLOW CREATES VALUE
流动创造价值

山东溢科流体技术有限公司

Shandong Flowcolour Fluid Technology Co., Ltd.

Add: A1297 Guangming East Road, Shizhong District, Zaozhuang City, Shandong Province

煦彩国际贸易(厦门)有限公司

Flowcolour International Trade (Xiamen) Co., Ltd.

Room 602, Building 1, Meifeng Sixth LI, Tong'an District, Xiamen, Fujian

Tel: 0632-3055588

E-mail: Info@flowcolour.cn

[Http://www.flowcolour.cn](http://www.flowcolour.cn)

Facebook: www.facebook.com/Flowcolour